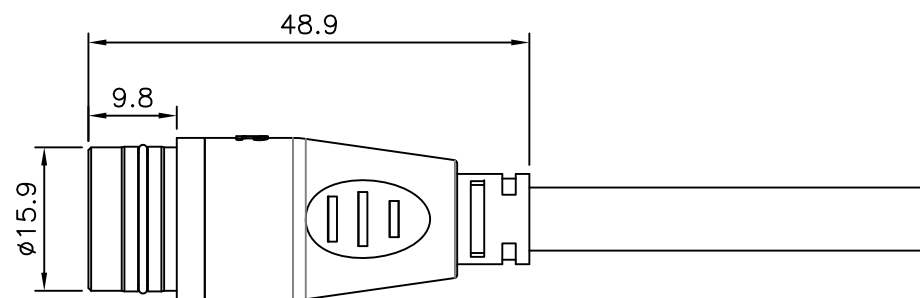
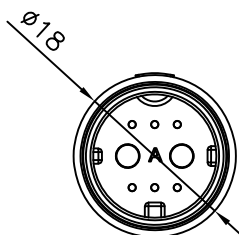
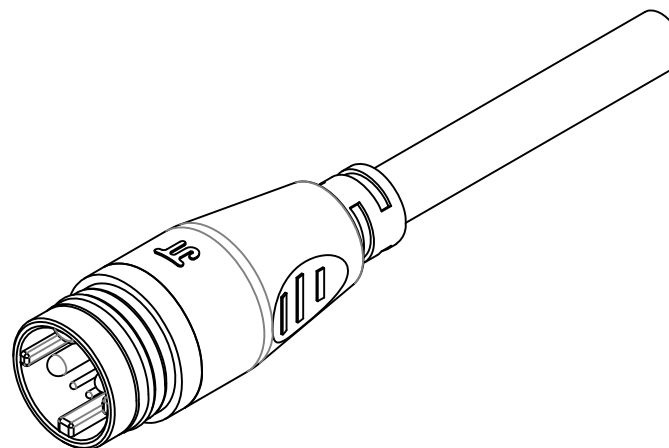


JTWP-M008-26D1	JTWP-M008-26D3	JTWP-M008-26D4



Note:

1. Electrical Performance

- 1.1 Rated current : 1~2 \cong 25A / 3~8 \cong 2A
- 1.2 Rated Voltage : 60 V
- 1.3 Insulation resistance : $\geq 20M\Omega$
- 1.4 Contact resistance : $\leq 10m\Omega$

2. Mechanical Performance

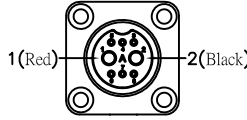
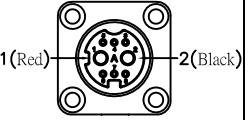
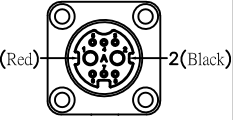
- 2.1 Durability Repeated : Insert and withdraw up to 1000 cycles

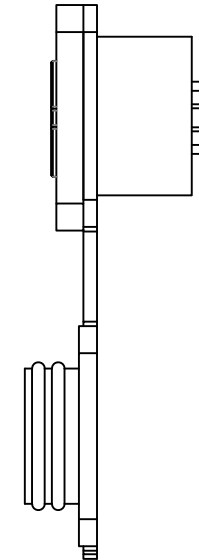
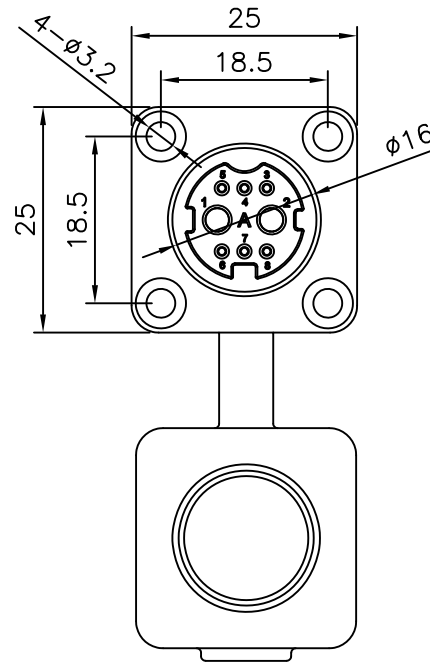
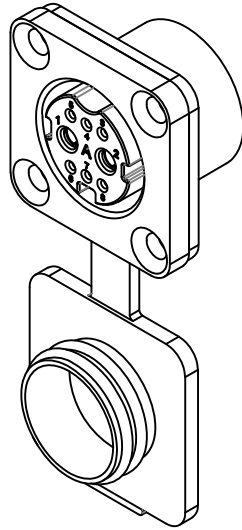
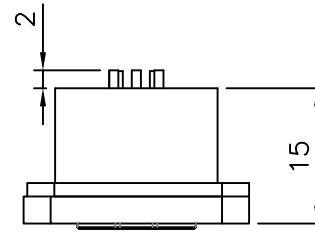
3. Environmental Performance

- 3.1 Ingress Protection : IP67
- 3.2 Temperature Range - Operating : $-40^{\circ}C \sim +80^{\circ}C$

4. Cables Shall Be 100% Tested For Opens And Short And Miss.

		TOLERAMCE UNLESS SPECIFIED		朝富科技股份有限公司 JOIN TEK CORPORATION CO., LTD.					
		LINEAR	ANGLE				UNIT	SHEET	VER.
		.X ± 0.30	X.' $\pm 5'$				1/1	A1	A1
		.XX ± 0.20	.X' $\pm 2'$						
		.XXX ± 0.10	.XX' $\pm 1'$	名稱 : 2+6 Male TITLE :					
		日期	2024.01.15	料號 : WPP26D-MXXX					
		審核	JASON	PART NO.					
更改 REV.	設 變 內 容 MODIFICATION	修改 DRAWN	核准 APPROVED	製 圖	Jason				

JTWP-F008-26D1	JTWP-F008-26D3	JTWP-F008-26D4
		



Note:

1. Electrical Performance

- 1.1 Rated current : 1~2 ≅ 25A / 3~8 ≅ 2A
- 1.2 Rated Voltage : 60 V
- 1.3 Insulation resistance : ≥20MΩ
- 1.4 Contact resistance : ≤10mΩ


2. Mechanical Performance

- 2.1 Durability Repeated : Insert and withdraw up to 1000 cycles

3. Environmental Performance

- 3.1 Ingress Protection : IP67
- 3.2 Temperature Range - Operating : -40°C ~ +80°C

4. Cables Shall Be 100% Tested For Opens And Short And Miss.

		TOLERAMCE UNLESS SPECIFIED		 朝富科技股份有限公司 JOIN TEK CORPORATION CO., LTD.					
		LINEAR	ANGLE				UNIT	SHEET	VER.
		.X ± 0.30	X.' ± 5'				1/1	A1	A1
		.XX ± 0.20	.X' ± 2'						
		.XXX ± 0.10	.XX' ± 1'	名稱 : 2+6 Female TITLE :					
		日期	2024.01.15	料號 : JTWP-F008-26DX					
		審核	JASON	PART NO.					
更改 REV.	設 變 內 容 MODIFICATION	修改 DRAWN	核准 APPROVED	製 圖	Jason				