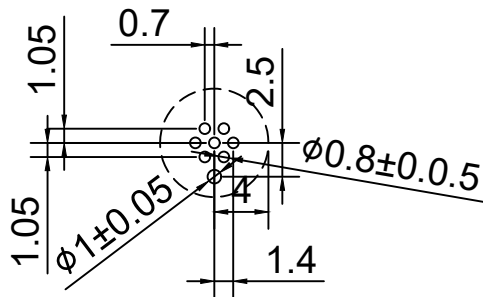
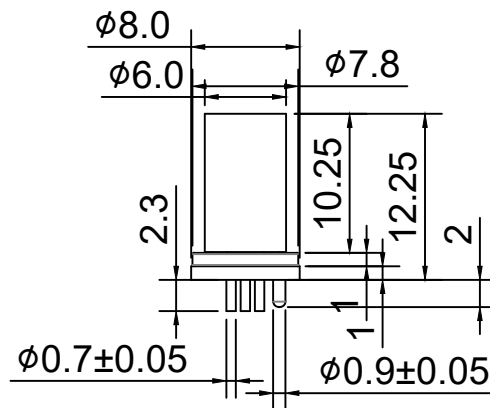
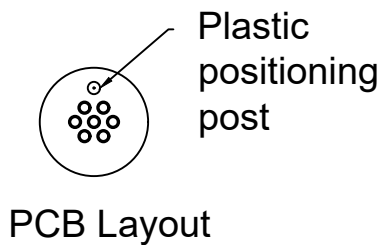
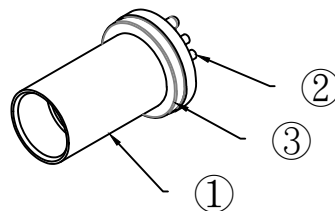
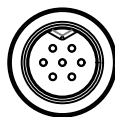


產品名稱	料號
M6 PCB Male 7P	



Note:

1. Electrical Performance
 - 1.1 Rated current : 1.5 ~ 2.0 A
 - 1.2 Rated Voltage : 48V
 - 1.3 Insulation resistance : $\geq 20M\Omega$
 - 1.4 Contact resistance : $\leq 10m\Omega$
2. Mechanical Performance
 - 2.1 Durability Repeated : Insert and withdraw up to 200 cycles
3. Environmental Performance
 - 3.1 Ingress Protection : IP67
 - 3.2 Temperature Range - Operating : $-40^{\circ}C \sim +80^{\circ}C$

PIN	7P
Front View	

TOLERANCE UNLESS SPECIFIED	
LINEAR	ANGLE
.X ±0.30	X.* ± 2'
.XX ±0.20	.X.* ± 1'
.XXX ±0.03	.XX.* ±0.5'

朝富科技股份有限公司
 JOIN TEK JOIN TEK CORPORATION CO., LTD.

	UNIT	SHEET	VER.
		1/1	A0

日期	2024.07.31
審核	Jason
製圖	Matsu

名稱 : male conn Plastic 7PIN_PCB_asm
 TITLE
 料號 :
 PART NO.

4				
3	O-ring			
2	Terminal			
1	Housing			
No.	ITEM	BILL OF MATERIAL	QTY	更改 REV.

更改 REV.	設 變 內 容 MODIFICATION	修改 DRAWN	核准 APPROVED
---------	-------------------------	----------	-------------