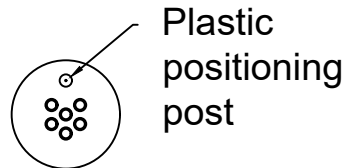
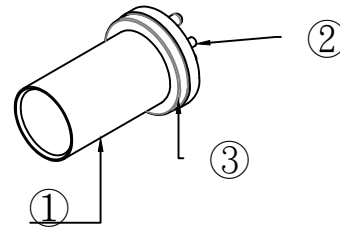
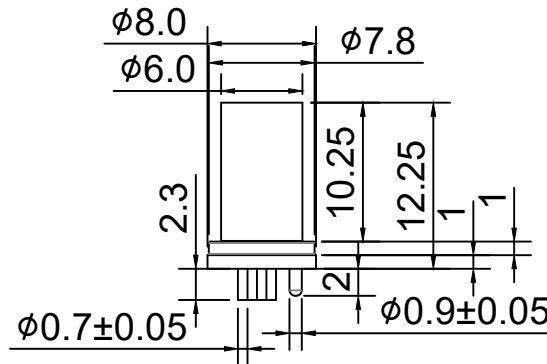
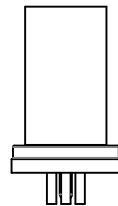


產品名稱	料號
M6 PCB Male 2P	
M6 PCB Male 3P	
M6 PCB Male 4P	
M6 PCB Male 5P	
M6 PCB Male 6P	

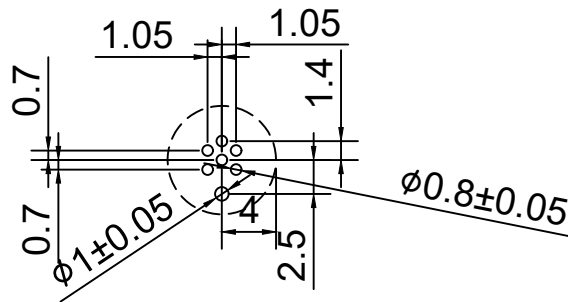


PCB Layout



Note:

- Electrical Performance
  - Rated current : 1.5 ~ 2.0 A
  - Rated Voltage : 48V
  - Insulation resistance :  $\geq 20M\Omega$
  - Contact resistance :  $\leq 10m\Omega$
- Mechanical Performance
  - Durability Repeated : Insert and withdraw up to 200 cycles
- Environmental Performance
  - Ingress Protection : IP67
  - Temperature Range - Operating :  $-40^{\circ}C \sim +80^{\circ}C$



PIN	2P	3P	4P	5P	6P
Front view					

TOLERANCE UNLESS SPECIFIED	
LINEAR	ANGLE
.X ±0.30	X.* ± 2'
.XX ±0.20	.X.* ± 1'
.XXX ±0.03	.XX.* ±0.5'

朝富科技股份有限公司  
 JOIN TEK JOIN TEK CORPORATION CO., LTD.

UNIT	SHEET	VER.
1/1	1/1	A0

名稱 : male conn Plastic 2~6PIN\_PCB\_asm  
 TITLE

料號 :  
 PART NO.

No.	ITEM	BILL OF MATERIAL	QTY
4			
3	O-ring		
2	Terminal		
1	Housing		

更改 REV.	設 變 內 容 MODIFICATION	修改 DRAWN	核准 APPROVED	製 圖

日期 2024.07.31  
 審核 Jason  
 製圖 Matsu