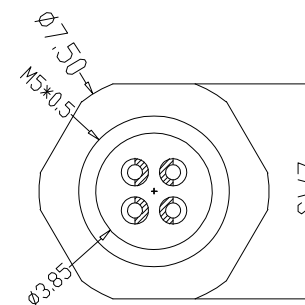
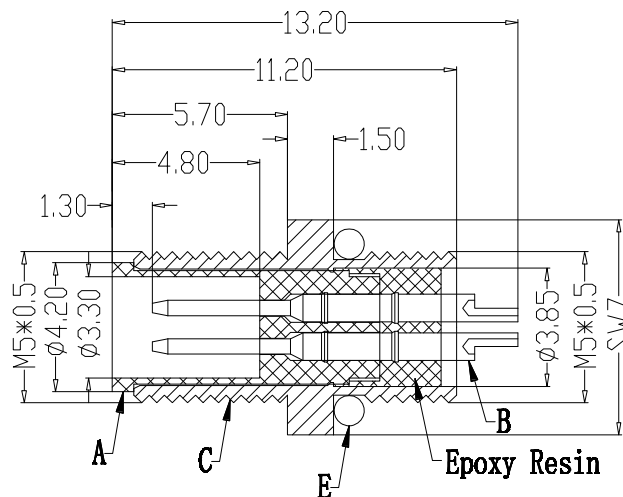
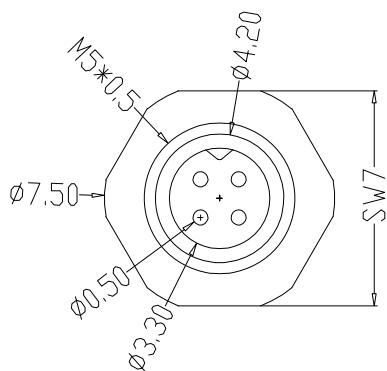
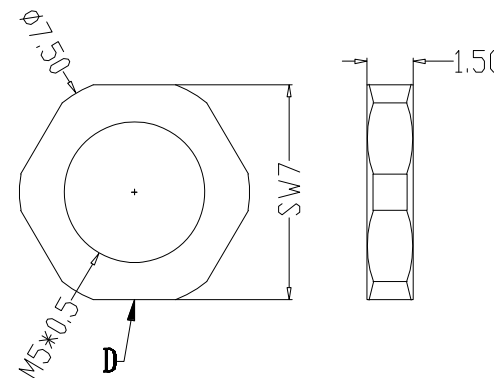
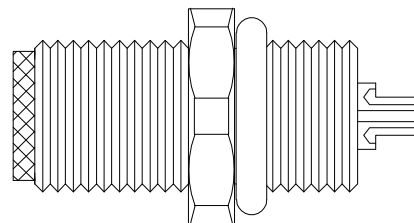
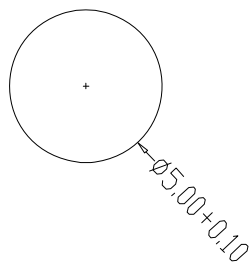


RoHs

| Ver. | Description | Date | Redactor | Approved by |
|------|-----------------|------------|----------|-------------|
| 0 | Initial Release | 2023.04.28 | CQX | Jason |

| PIN数 | 2Pin | 3Pin | 4Pin |
|------|------|------|------|
| 图形 | | | |

Recommended Panel Cut-out



| | | | |
|---------------------|------------|-----------------------|---------------------|
| Engagement force | $\leq 30N$ | Rated voltage | 60V |
| Disengagement force | $\geq 5N$ | Rated current | 1A |
| Mechanical lifespan | ≥ 500 | Insulation resistance | $\geq 1000M \Omega$ |
| IP rating | IP67/IP68 | Contact resistance | $\leq 10m \Omega$ |
| Flammability | UL94 V-0 | Operation Temperature | -40° C~105° C |

| PARTS | MATERIALS | TREATMENT | AMOUNT |
|-----------------|-----------|---------------|--------|
| A HOUSING | PA66+GF | SPECIFY COLOR | 1 |
| B CONTACT | BRASS | GOLD PLATED | 2~4 |
| C OUTER CONTACT | BRASS | NICKL PLATED | 1 |
| D NUT | BRASS | NICKL PLATED | 1 |
| E O-RING | EPDM | BLACK | 1 |

| | |
|-----------|-----------------|
| TOLERANCE | .xxx ± 0.05 |
| | .xx ± 0.10 |
| | .x ± 0.30 |
| | x ± 0.50 |
| ANGLE | $\pm 1^\circ$ |

◆ = Critical Dim. for Incoming
 ● = Tooling Dim.
 ⊖ = Process Dim.(CPK.)
 Approved: Jason 2023.04.28
 Checked: Jason 2023.04.28
 Drawing: CQX 2023.04.28

朝富科技股份有限公司
 JOIN TEK
 JOIN TEK CORPORATION CO., LTD.
 Title M5 防水2~4P线端公头 后锁面板式M5 SW7
 Part No. WP54-MRVW-CJ01
 Unit : mm 1 of 1 Ver. A0