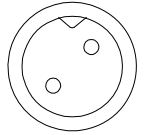
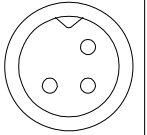
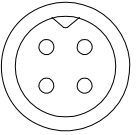
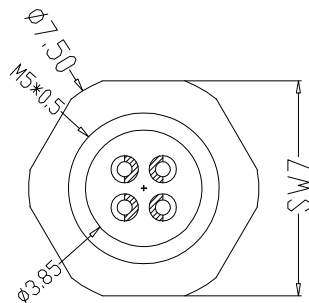
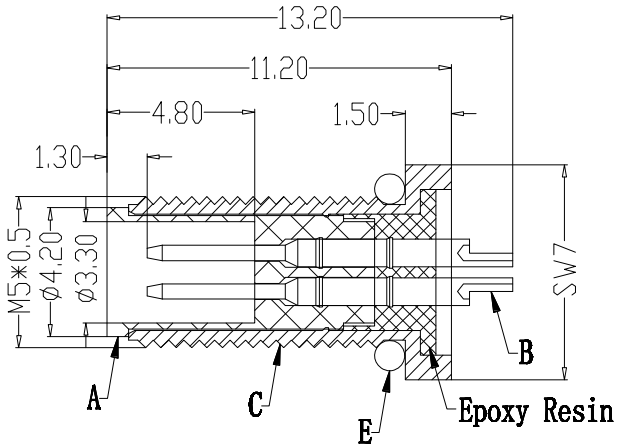
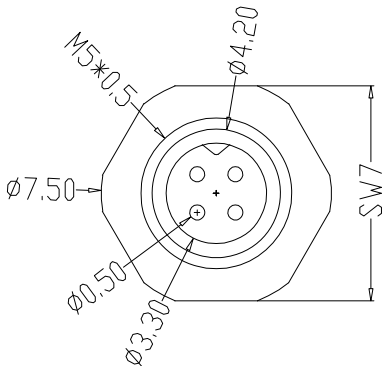
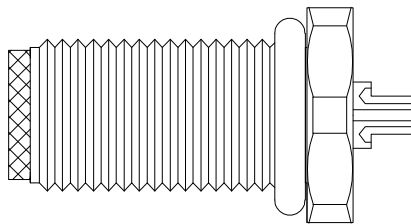
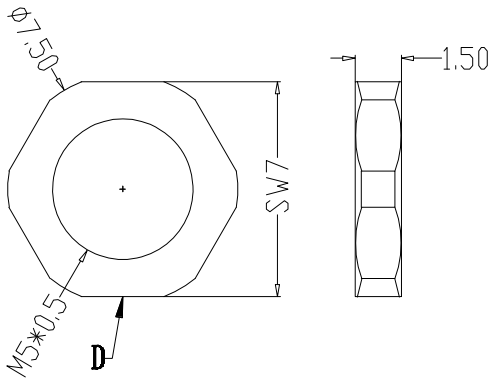
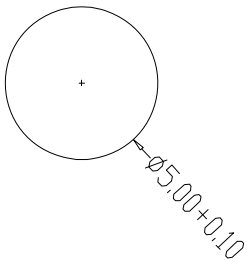


RoHs

PIN数	2Pin	3Pin	4Pin
图形			

Ver.	Description	Date	Redactor	Approved by
0	Initial Release	2023.04.28	CQX	Jason

Recommended Panel Cut-out



PARTS	MATERIALS	TREATMENT	AMOUNT
A HOUSING	PAGE+GF	SPECIFY COLOR	1
B CONTACT	BRASS	GOLD PLATED	2~4
C OUTER CONTACT	BRASS	NICKL PLATED	1
D NUT	BRASS	NICKL PLATED	1
E O-RING	EPDM	BLACK	1
F			

TOLERANCE

.xxx	± 0.05
.xx	± 0.10
.x	± 0.30
x	± 0.50
ANGLE	$\pm 1^\circ$

◆ = Critical Dim. for Incoming
 ● = Tooling Dim.
 ⊖ = Process Dim.(CPK.)
 Approved: Jason 2023.04.28
 Checked: Jason 2023.04.28
 Drawing: CQX 2023.04.28

 朝富科技股份有限公司
 JOIN TEK CORPORATION CO., LTD.

Title M5 防水2~4P 线端公头 前锁面板式M5 SW7

Part No. WP54-MFVW-CJ01

 **Unit:** mm 1 of 1 Ver. A0

Engagement force	$\leq 30N$	Rated voltage	60V
Disengagement force	$\geq 5N$	Rated current	1A
Mechanical lifespan	≥ 500	Insulation resistance	$\geq 1000M \Omega$
IP rating	IP67/IP68	Contact resistance	$\leq 10m \Omega$
Flammability	UL94 V-0	Operation Temperature	-40° C~105° C