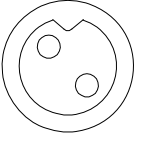
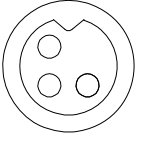
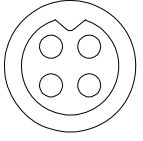
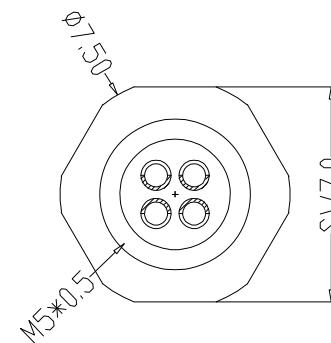
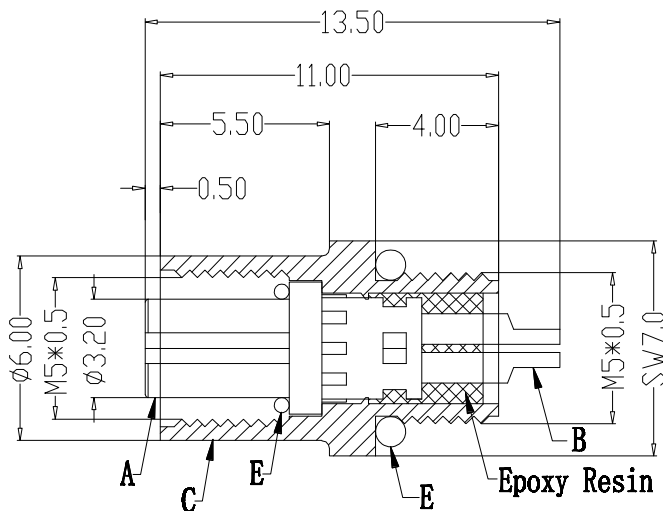
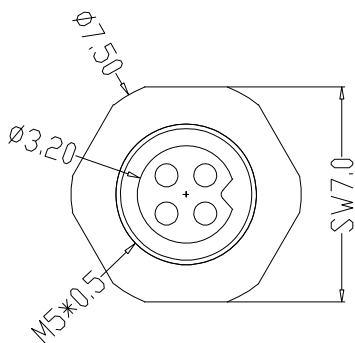
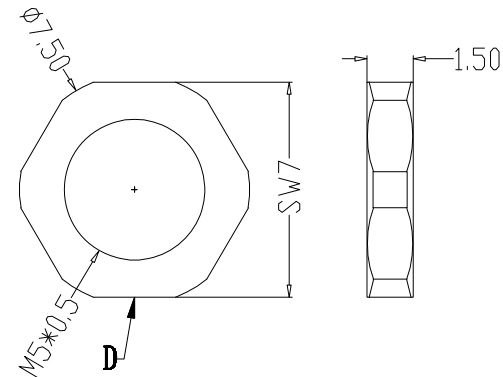
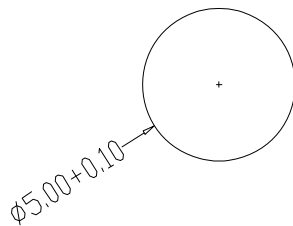
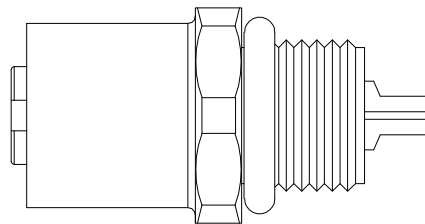


RoHs

PIN数	2Pin	3Pin	4Pin
图形			

Ver.	Description	Date	Redactor	Approved by
0	Initial Release	2023.04.28	CQX	Jason

Recommended Panel Cut-out



PARTS	MATERIALS	TREATMENT	AMOUNT
A HOUSING	PA66+GF	SPECIFY COLOR	1
B CONTACT	BRONZE	GOLD PLATED	2~4
C OUTER CONTACT	BRASS	NICKL PLATED	1
D NUT	BRASS	NICKL PLATED	1
E O-RING	EPDM	BLACK	2

TOLERANCE	.xxx ±0.05
	.xx ±0.10
	.x ±0.30
	x ±0.50
ANGLE	± 1°

◆ = Critical Dim. for Incoming  
 ● = Tooling Dim.  
 ⊖ = Process Dim.(CPK.)  
 Approved: Jason 2023.04.28  
 Checked: Jason 2023.04.28  
 Drawing: CQX 2023.04.28

朝富科技股份有限公司  
 JOIN TEK JOIN TEK CORPORATION CO., LTD.  
 Title M5防水2-4P线端母头 后锁面板式M5 SW7  
 Part No. WP54-FRVW-CJ01  
 Unit : mm 1 of 1 Ver. A0

Engagement force	≤30N	Rated voltage	60V
Disengagement force	≥5N	Rated current	1A
Mechanical lifespan	≥500	Insulation resistance	≥1000M Ω
IP rating	IP67/IP68	Contact resistance	≤10m Ω
Flammability	UL94 V-0	Operation Temperature	-40° C~105° C