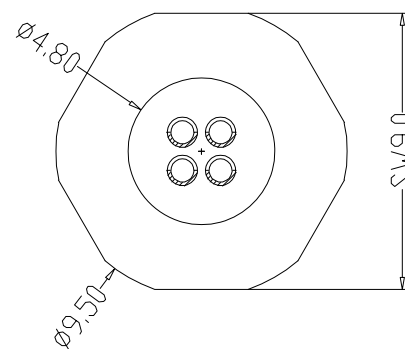
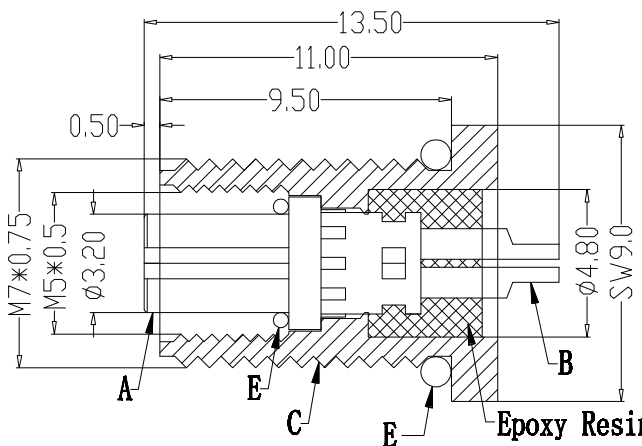
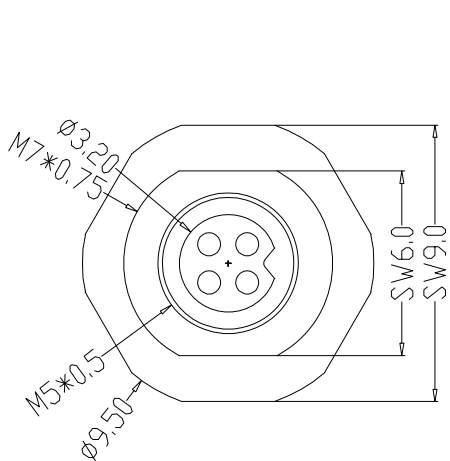
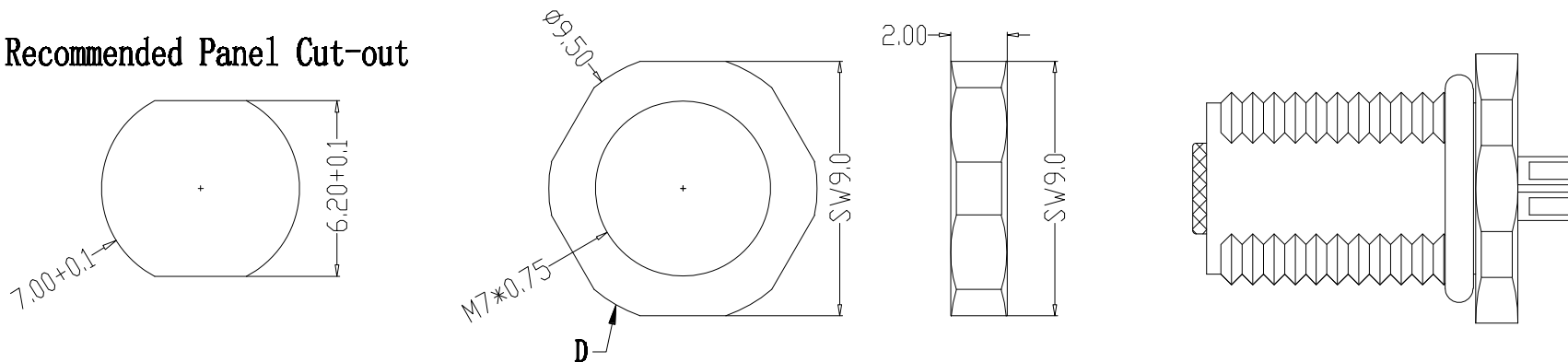


RoHs

|      |      |      |      |
|------|------|------|------|
| PIN数 | 2Pin | 3Pin | 4Pin |
| 图形   |      |      |      |

| Ver. | Description     | Date       | Redactor | Approved by |
|------|-----------------|------------|----------|-------------|
| 0    | Initial Release | 2023.04.28 | CQX      | Jason       |

Recommended Panel Cut-out



| PARTS           | MATERIALS | TREATMENT     | AMOUNT |
|-----------------|-----------|---------------|--------|
| A HOUSING       | PAGE+GF   | SPECIFY COLOR | 1      |
| B CONTACT       | BRONZE    | GOLD PLATED   | 2~4    |
| C OUTER CONTACT | BRASS     | NICKL PLATED  | 1      |
| D NUT           | BRASS     | NICKL PLATED  | 1      |
| E O-RING        | EPDM      | BLACK         | 2      |

TOLERANCE

|       |       |
|-------|-------|
| .xxx  | ±0.05 |
| .xx   | ±0.10 |
| .x    | ±0.30 |
| x     | ±0.50 |
| ANGLE | ± 1°  |

◆ = Critical Dim. for Incoming  
 ● = Tooling Dim.  
 ⊖ = Process Dim.(CPK.)  
 Approved: Jason 2023.04.28  
 Checked: Jason 2023.04.28  
 Drawing: CQX 2023.04.28



朝富科技股份有限公司  
 JOIN TEK CORPORATION CO., LTD.

Title M5防水2-4P线端母头 前锁面板式M7 SW9T

Part No. WP54-FFVW-CJ01



Unit : mm

1 of 1

Ver. A0

|                     |           |                       |               |
|---------------------|-----------|-----------------------|---------------|
| Engagement force    | ≤30N      | Rated voltage         | 60V           |
| Disengagement force | ≥5N       | Rated current         | 1A            |
| Mechanical lifespan | ≥500      | Insulation resistance | ≥1000M Ω      |
| IP rating           | IP67/IP68 | Contact resistance    | ≤10m Ω        |
| Flammability        | UL94 V-0  | Operation Temperature | -40° C~105° C |