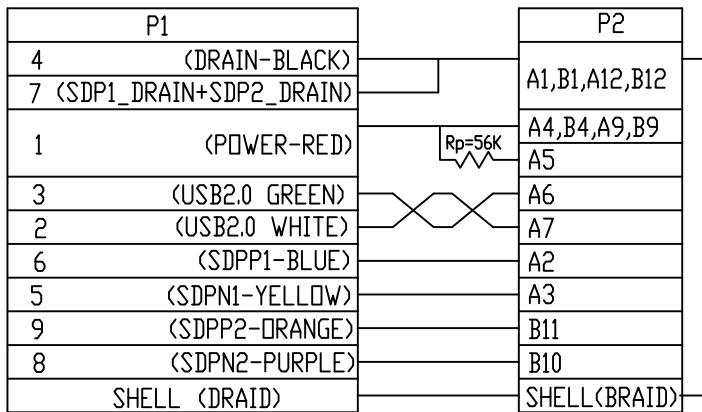


PIN ASSIGNMENT:



Notes:

1.ELECTRICAL TEST:

- (1).100%% OPEN SHORT AND MIS-WIRE TEST.
 - (2).Contact Resistance: 3ΩMAX.
 - (3).Insulation Resistance: 20MΩMin
 - (4).Contact Voltage: DC300V
- 2.Data Transmission Rate: Gen2 (10Gbps)

				TOLERANCE UNLESS SPECIFIED		朝富科技股份有限公司 JOIN TEK JOIN TEK CORPORATION CO., LTD.					
				LINEAR	ANGLE	SCALE	SHEET	VER.			
4	OverMold 45P PVC BLACK	AR		.X ± 0.30	X.* ± 5°				1/1	A0	名稱: USB3.1 AM to CM TITLE
3	USB3.1 C TYPE MALE SOLDER Pin:G/F 56KΩ	1		.XX ± 0.20	.X* ± 2°						
2	USB3.0AM SOLDER Pin:G/F Insulation:Black	1		.XXX ± 0.10	.XX* ± 1°	審核	JASON				
1	UL20276(32AWGx1C+SP+AL+HM)x2C+32AWGx2C+26AWGx2C+AEB_BLACK PVC OD4.0mm	1		更改 REV.	變更內容 MODIFICATION	修改 DRAWN	核准 APPROVED	製圖	JASON		
項次	品名 / 規格	使用量	備註								