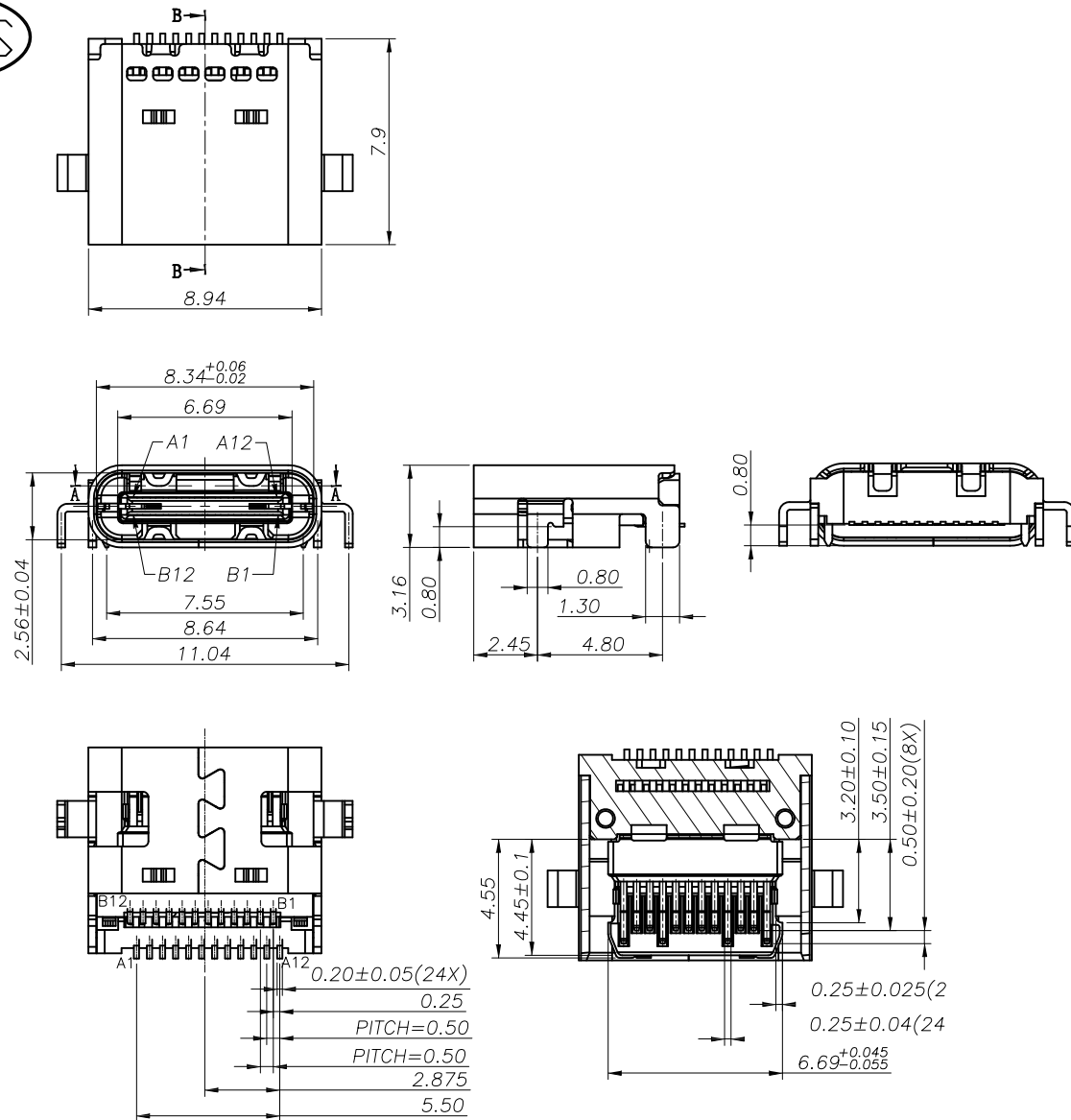


RoHS

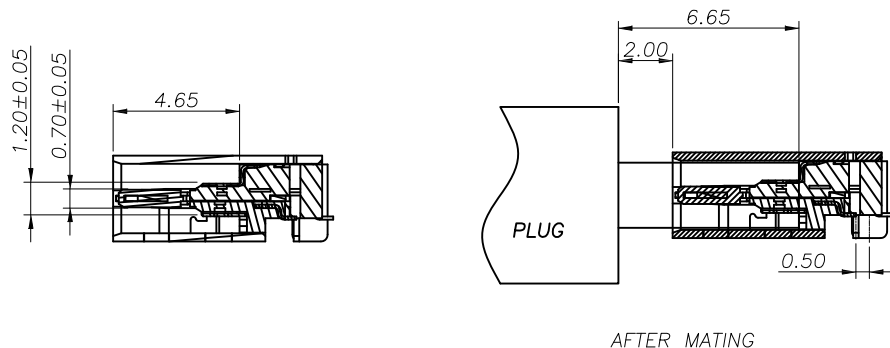


NOTE:

- MATERIAL SPECIFICATION:
 - HOUSING: LCP, UL94 V-0.
 - CONTACTS: COPPER ALLOY
 - MID PLATE: STAINLESS STEEL (SUS301)
 - FRONT SHELL: STAINLESS STEEL (SUS304)
 - EMI PLATE: STAINLESS STEEL (SUS304)
- PLATING SPECIFICATION:
 - CONTACTS:
 - Ni 50u" MIN. UNDER PLATED OVER ALL.
 - Au PLATED ON THE FUNCTIONAL AREA OF CONTACT.
 - FRONT SHELL:
 - Ni 30u" MIN. UNDER PLATED OVER ALL.
 - MID PLATE & EMI PLATE:
 - CLEAR ONLY
- MECHANICAL PERFORMANCE,
 - INSERTION FORCE: 0.5~2.0kgf.
 - REMOVAL FORCE: 0.8kgf~2.0kgf.
 - DURABILITY: 10000 CYCLES.
- ELECTRICAL PERFORMANCE,
 - CURRENT RATING: 5.0A
VOLTAGE RATING: 5.0V
 - LLCR:
 - VBUS & GND PINS AND OTHER PINS: 40mΩ/PIN MAX.
 - SHIELD: 50mΩ/MAX.
 - LLCR MAX. CHANGE OF ALL PINS: 10mΩ.
 - INSULATION RESISTANCE: 100MΩ MIN
 - DIELECTRIC WITHSTAND VOLTAGE, AC 100V FOR 1 MINUTE
- ENVIRONMENTAL PERFORMANCE:
 - OPERATING TEMPERATURE: -25°C~+85°C.
- IR REFLOW:
 - THE PEAK TEMPERATURE ON THE BOARD SHALL BE MAINTAINED FOR 10 SECONDS AT 260°C.

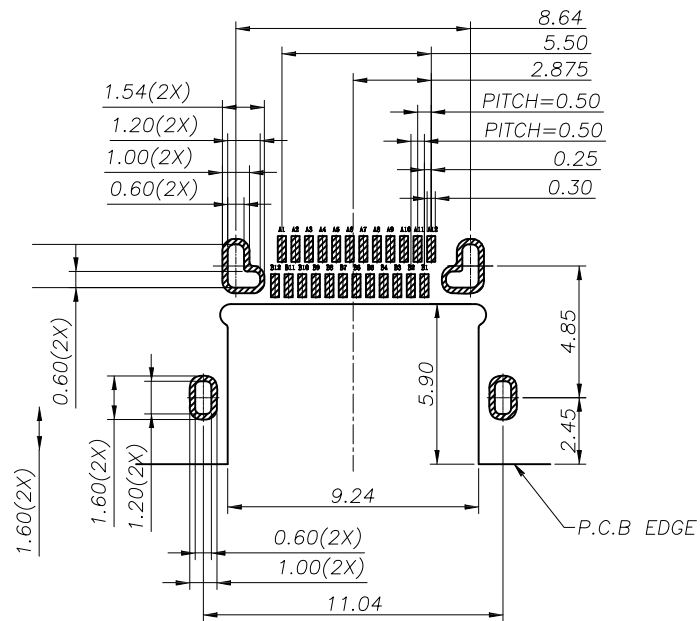
SECTION: A-A

				TOLERANCE UNLESS SPECIFIED		 朝富科技股份有限公司 JOIN TEK JOIN TEK CORPORATION CO., LTD.				
				LINEAR	ANGLE				SCALE SHEET VER.	
				.X ± 0.30	X.* ± 5°				1/2 A	
				.XX ± 0.20	.X.* ± 2°					
				.XXX ± 0.10	.XX.* ± 1°					
				日期	2018.10.03		名稱: TYPE C 24PIN 沉板 0.8mm			
				審核			TITLE			
更改 REV.	設變內容 MODIFICATION	修改 DRAWN	核准 APPROVED	製圖	JASON		料號: U886-P612-1F20 PART NO.			



USB TYPE-C PIN ASSIGNMENTS

PIN NUMBER	SIGNAL NAME	PIN NUMBER	SIGNAL NAME
A1	GND	B12	GND
A2	TX1+	B11	RX1+
A3	TX1-	B10	RX1-
A4	VBUS	B9	VBUS
A5	CC1	B8	SUB2
A6	D+	B7	D-
A7	D-	B6	D+
A8	SUB1	B5	CC2
A9	VBUS	B4	VBUS
A10	RX2-	B3	TX2-
A11	RX2+	B2	TX2+
A12	GND	B1	GND



RECOMMENDED PCB LAYOUT(TOP VIEW)
THICKNESS 0.60MM;DEFAULT TOLERANCE:±0.05

				TOLERANCE UNLESS SPECIFIED		朝富科技股份有限公司 JOIN TEK JOIN TEK CORPORATION CO., LTD. <table border="1"> <tr><td>SCALE</td><td>SHEET</td><td>VER.</td></tr> <tr><td></td><td>2/2</td><td>A</td></tr> </table>			SCALE	SHEET	VER.		2/2	A
SCALE	SHEET	VER.												
	2/2	A												
				LINEAR	ANGLE									
				.X ± 0.30	X.* ± 5°									
				.XX ± 0.20	.X* ± 2°									
				.XXX ± 0.10	.XX* ± 1°									
				日期	2018.10.03		名稱: TYPE C 24PIN 沉板 0.8mm							
				審核			TITLE							
更改 REV.	股 MODIFICATION	修改 DRAWN	核准 APPROVED	製 圖	JASON		料號: U886-P612-1F20							
						PART NO.								