

NOTE:

1.MATERIAL SPECIFICATION:

- 1.HOUSING:HIGH TEMPERATURE RESISTANT PLASTIC,UL94 V-0
- 2.TERMINAL: COPPER ALLOY(C1814)
- 3.MID PLATE: STAINLESS STEEL(SUS301)
- 4.FRONT SHELL: STAINLESS STEEL(SUS304)
- 5.EMI PLATE: STAINLESS STEEL(SUS304)

2.PLATING SPECIFICATION:

- 2-1.TERMINAL:
Ni 50u" MIN. UNDER PLATED OVER ALL.
Au PLATED ON THE FUNCTIONAL AREA OF CONTACT.
(GOLD PLATING THICKNESS FOLLOW THE P/N)
PLATING SPECIFICATIONS OF THE SOLDER AREA FOLLOW THE P/N

2-2.FRONT SHELL:

PLATING SPECIFICATIONS FOLLOW THE P/N

2-3.MID PLATE&EMI PLATE:

CLEAR ONLY

3.MECHANICAL PERFORMANCE,

- 3-1.INSERTION FORCE: 0.5~2.0kgf.
- 3-2.REMOVAL FORCE: 0.8kgf~2.0kgf.
- 3-3.DURABILITY: 10000 CYCLES.

4.ELECTRICAL PERFORMANCE,


- 4-1. VOLTAGE RATING:5 V DC/AC (RMS. max)
CURRENT RATING:5 AMPS. FOR TOTAL VBUS/GND PINS;
1.25AMPS FOR CC PIN,0.25 AMPS. FOR ALL OTHER CONTACT.
- 4-2. LLCR:
VBUS & GND PINS AND OTHER PINS: 40mΩ/PIN MAX.
SHIELD: 50mΩ/MAX.
LLCR MAX. CHANGE OF ALL PINS: 10mΩ.
- 4-3.INSULATION RESISTANCE: 100MΩ MIN
- 4-4.DIELECTRIC WITHSTAND VOLTAGE,AC 100V FOR 1 MINUTE.

5. ENVIRONMENTAL PERFORMANCE:

OPERATING TEMPERATURE: -25°C~+85°C.

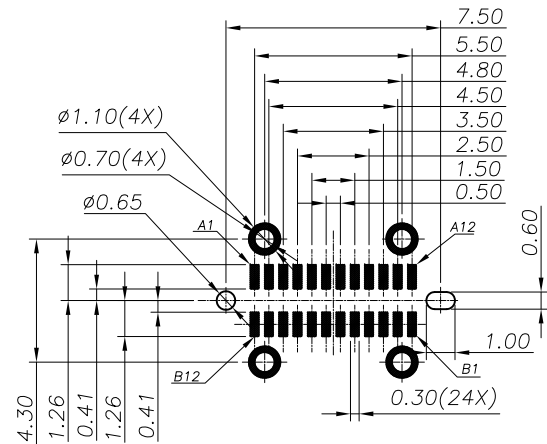
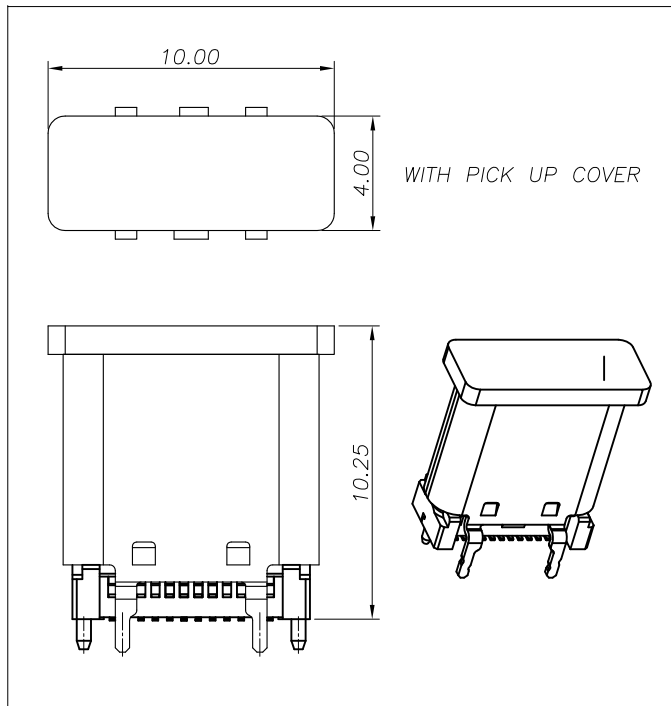
6.IR REFLOW:

THE PEAK TEMPERATURE ON THE BOARD SHALL BE MAINTAINED FOR 10 SECONDS AT 260°C.

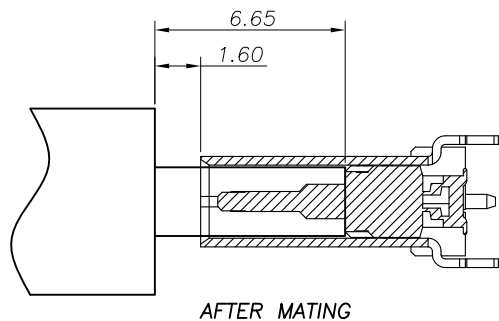
						TOLERANCE UNLESS SPECIFIED		 中山立群电子有限公司 JOIN TEK CORPORATION CO., LTD.				
						LINEAR	ANGLE				SCALE SHEET VER.	
						.X ± 0.25	.X ± 2'				1/3 A0	
						.XX ± 0.20	.XX ± 1'					
						.XXX ± 0.10	.XXX ± 0.5'	日期 2020.08.11 名稱: TYPE C 24P H=9.25MM 白色改模款脚长1.15 審核 Zhang you ming 料號: U883-P21S-1F22 製圖 LXT PART NO.				
项次	品名/规格	使用量	备注	更改 REV.	設備內容 SPECIFICATION	修改 DRAWN	核准 APPROVED					

由 Autodesk 教育版产品制作

由 Autodesk 教育版产品制作


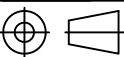


RECOMMENDED PCB LAYOUT(TOP VIEW)
THICKNESS 1.0±0.10MM;DEFAULT TOLERANCE:±0.05



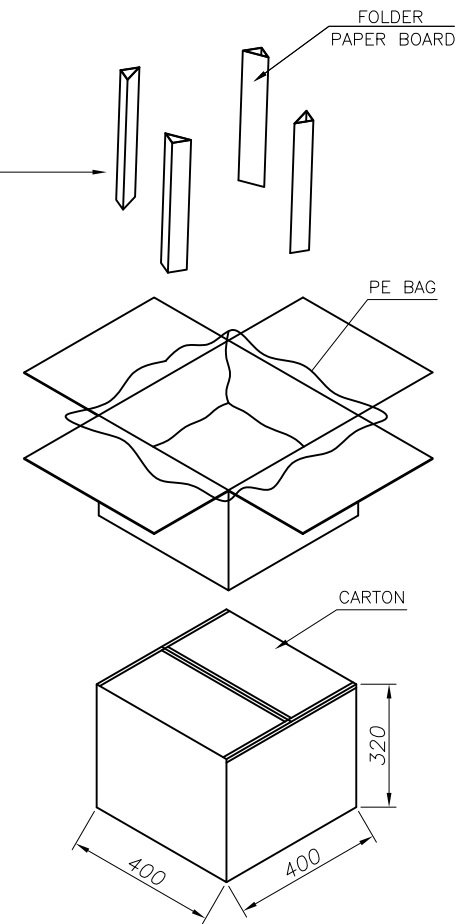
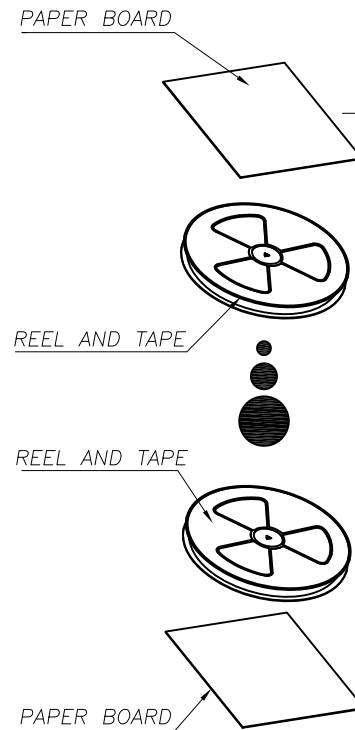
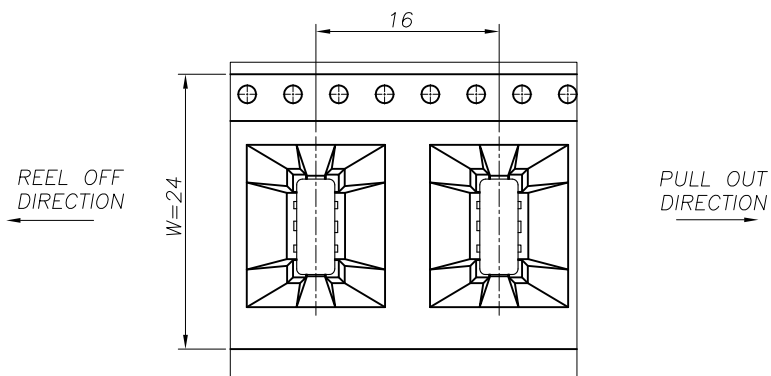
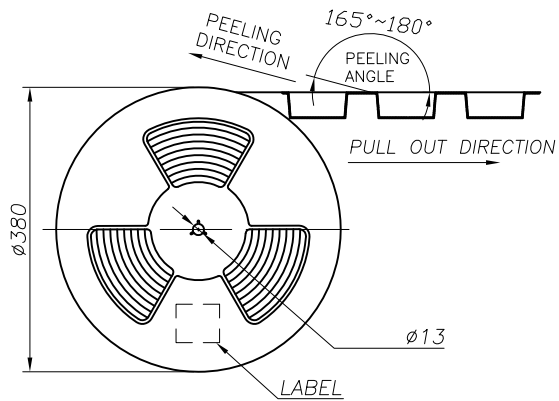
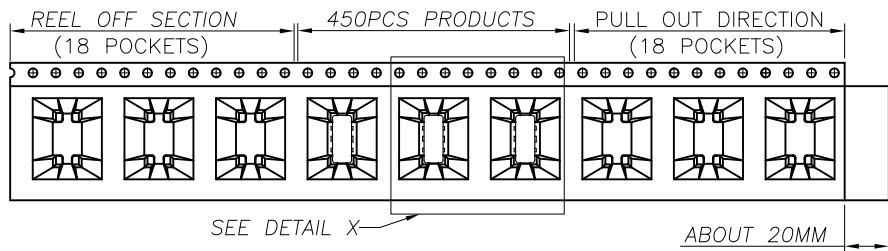
USB TYPE-C PIN ASSIGNMENTS

PIN NUMBER	SIGNAL NAME	PIN NUMBER	SIGNAL NAME
A1	GND	B12	GND
A2	SSTXp1	B11	SSRXp1
A3	SSTXn1	B10	SSRXn1
A4	Vbus	B9	Vbus
A5	CC1	B8	SBU2
A6	Dp1	B7	Dn2
A7	Dn1	B6	Dp2
A8	SBU1	B5	CC2
A9	Vbus	B4	Vbus
A10	SSRXn2	B3	SSTXn2
A11	SSRXp2	B2	SSTXp2
A12	GND	B1	GND

						TOLERANCE UNLESS SPECIFIED		 中山立群电子有限公司 JOIN TEK CORPORATION CO., LTD.					
						LINEAR	ANGLE				SCALE	SHEET	VER.
						.X ± 0.25	.X ± 2'				 2/3	A0	
						.XX ± 0.20	.XX ± 1'						
						.XXX ± 0.10	.XXX ± 0.5"	日期: 2020.08.11 名稱: TYPE C 24P H=9.25MM 白色改模款脚长1.15 審核: Zhang you ming 料號: U883-P21S-1F22 製圖: LXT PART NO.					
项次	品名/规格	使用量	备注	更改 REV.	設備內容 SPECIFICATION	修改 DRAWN	核准 APPROVED						

由 Autodesk 教育版产品制作


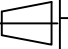

由 Autodesk 教育版产品制作



DETAIL X

TOLERANCE UNLESS SPECIFIED	
LINEAR	ANGLE
.X ± 0.25	.X ± 2'
.XX ± 0.20	.XX ± 1'
.XXX ± 0.10	.XXX ± 0.5'


 中山立群电子有限公司
 JOIN TEK CORPORATION CO., LTD.

 SCALE	 SHEET	 VER.
	3/3	A0

日期 2020.08.11

審核 Zhang you ming

製圖 LXT

名稱: TYPE C 24P H=9.25MM 白色改模款脚长1.15

料號: U883-P21S-1F22

项次

品名/规格

使用量

备注

更改

REV.

設備內容

修改

核准

DRAWN

APPROVED

製圖

LXT

PART NO.

U883-P21S-1F22