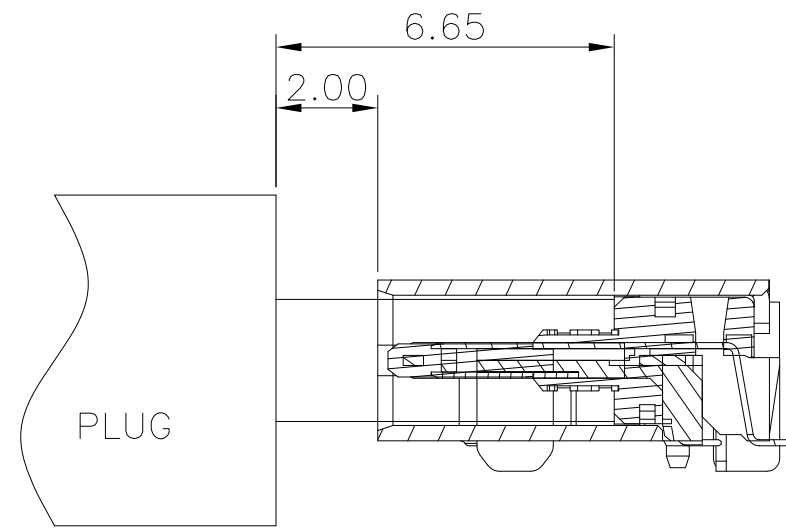
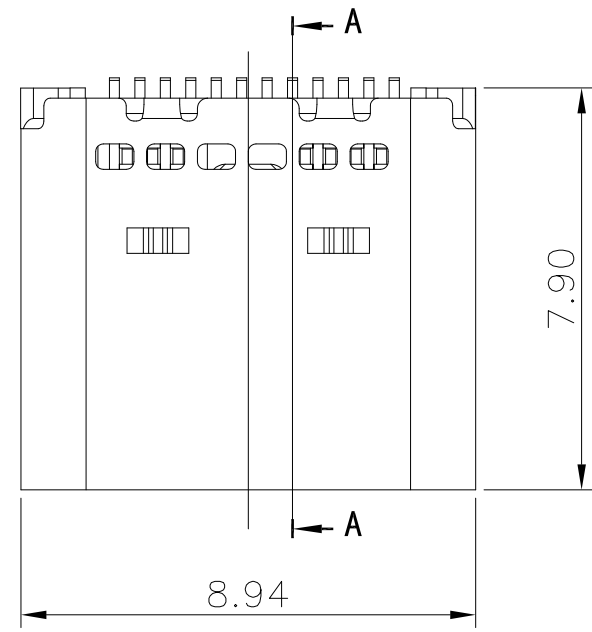
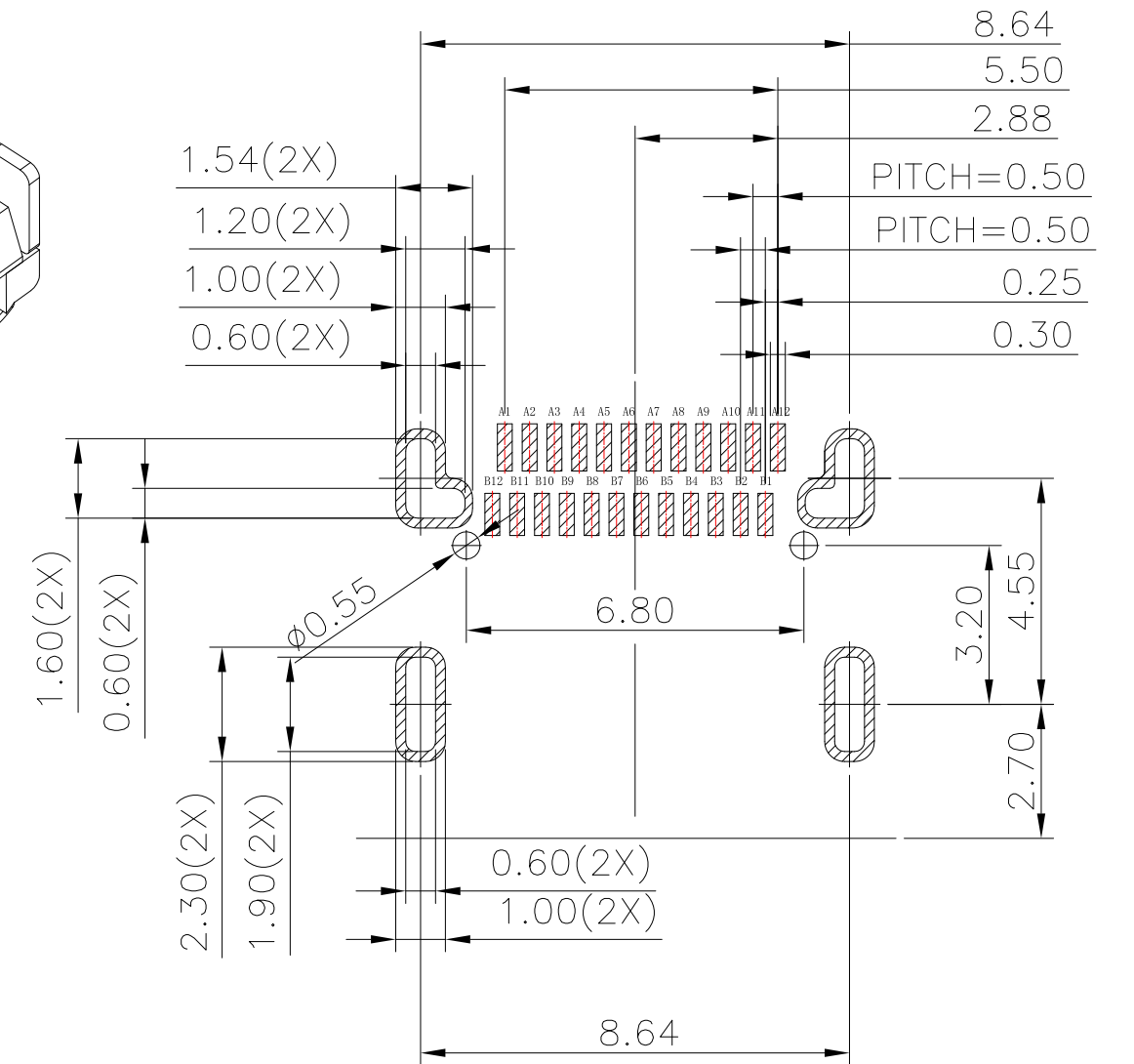
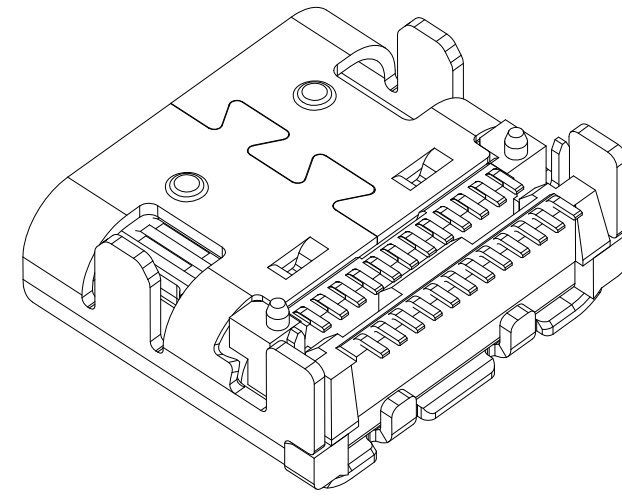


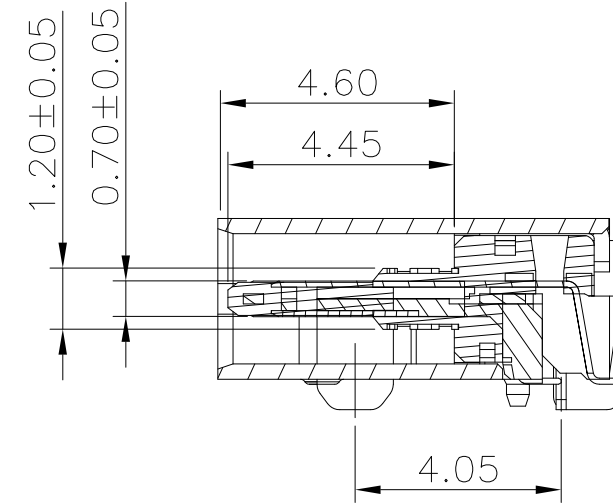
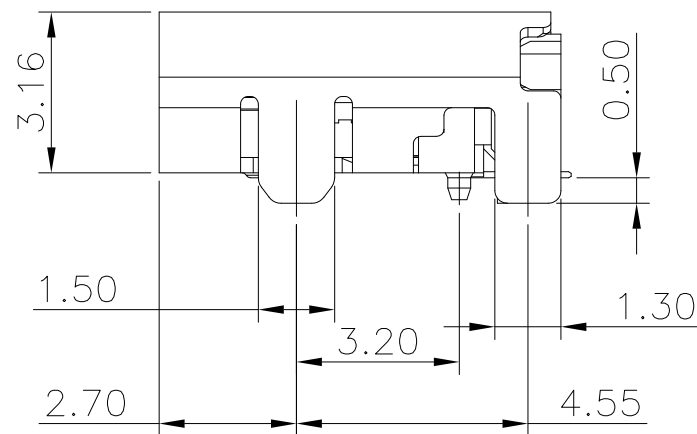
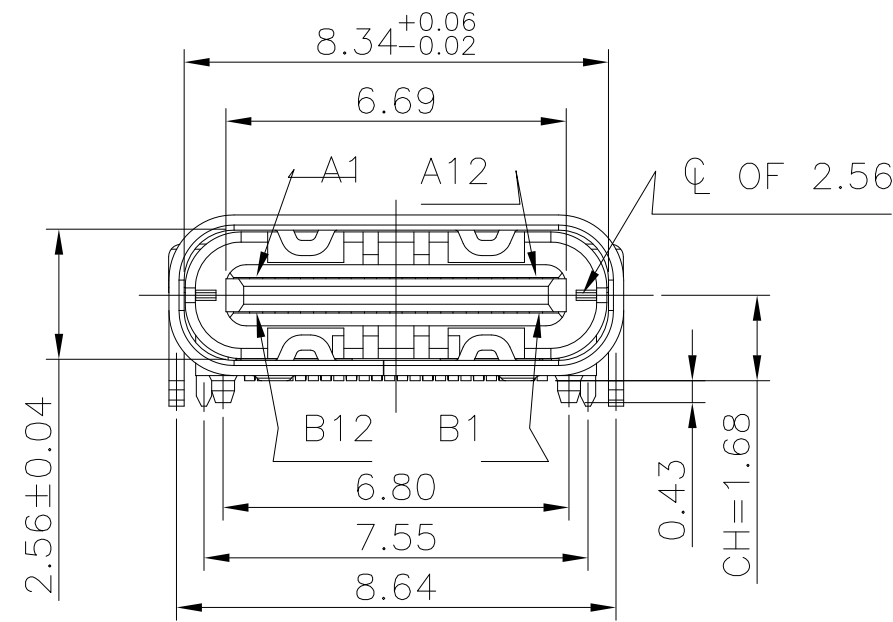
RoHS



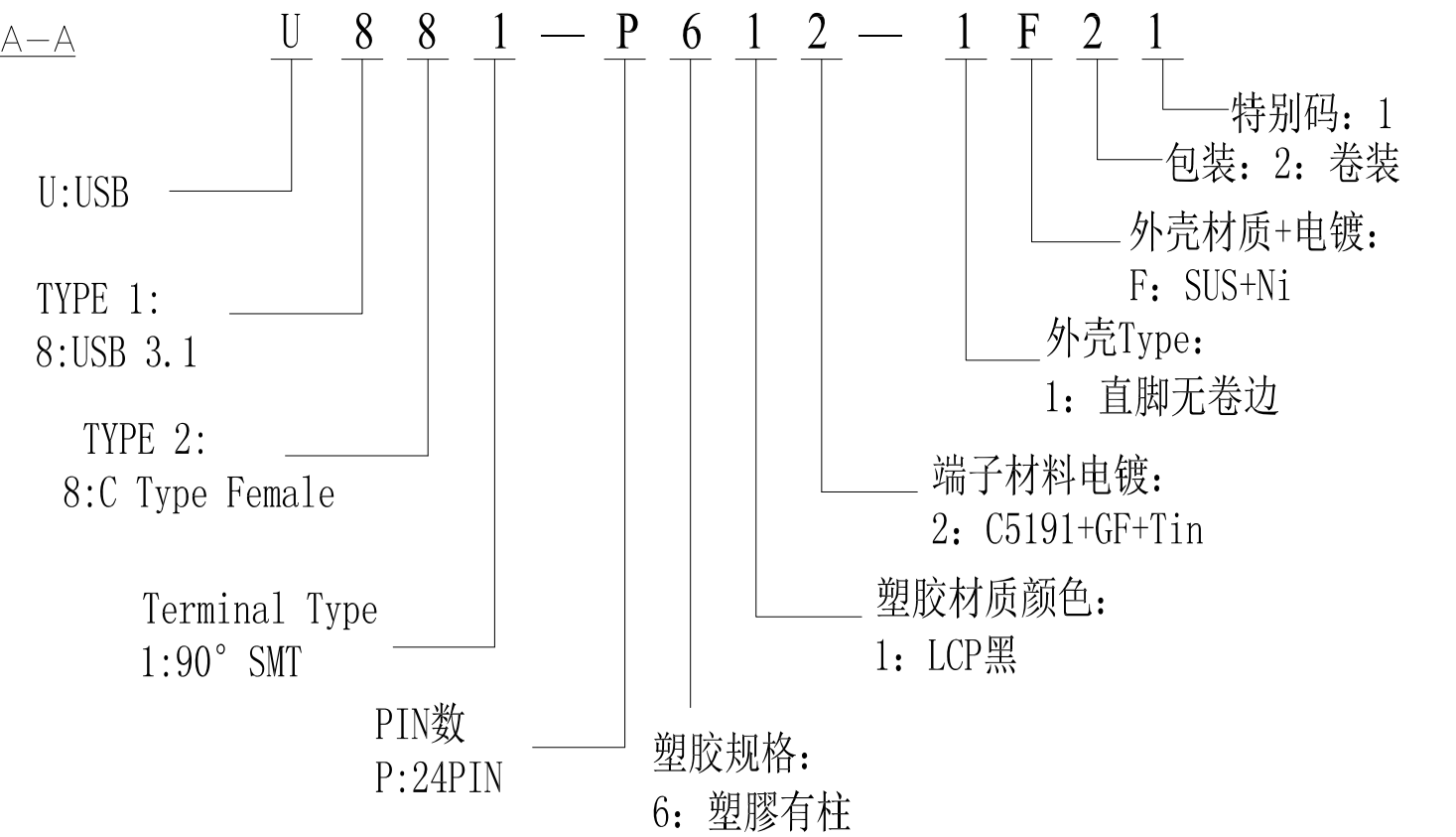
AFTER MATING



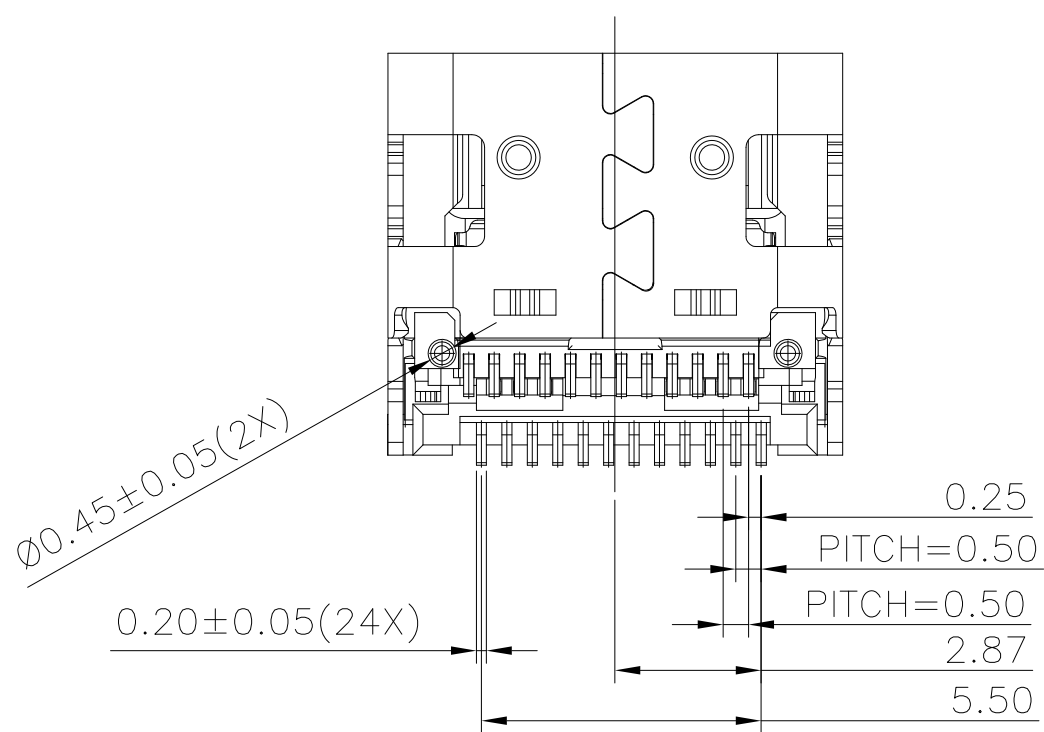
RECOMMENDED PCB LAYOUT(TOP VIEW)  
THICKNESS 0.60MM;DEFAULT TOLERANCE:±0.05



SECTION:A-A



A1	GND	B12	GND
A2	SSTXP1	B11	SSRXP1
A3	SSTXN1	B10	SSRXN1
A4	VBUS	B9	VBUS
A5	CC1	B8	SBU2
A6	DP1	B7	DN2
A7	DN1	B6	DP2
A8	SBU1	B5	CC2
A9	VBUS	B4	VBUS
A10	SSRXN2	B3	SSTXN2
A11	SSRXP2	B2	SSTXP2
A12	GND	B1	GND
PIN	SIGNAL NAME	PIN	SIGNAL NAME



NO.	DESCRIPTION	MATERIAL	REMARKS	QTY
5	SHELL	STAINLESS STEEL	NI Plated	1PCS
4	SPRING	STAINLESS STEEL		1PCS
3	SHIELDING PLATE	STAINLESS STEEL	NI/SN Plated	1PCS
2	CONTACT	COPPER ALLOY	Au/NI Plated	1SET
1	HOUSING	HIGH TEMPERATURE PLASTIC	BLACK	1PCS

TOLERAMCE UNLESS SPECIFIED			
LINEAR		ANGLE	
.X	± 0.25	.X	± 2°
.XX	± 0.20	.XX	± 1°
.XXX	± 0.10	.XXX	± 0.5°
日期	2018. 04. 09		
審核	Zhang you ming		
製圖	ming		
更改 REV.	設 變 內 容 MODIFICATION	修改 DRAWN	核准 APPROVED

朝富科技股份有限公司  
JOIN TEK CORPORATION CO., LTD.

SCALE SHEET VER.  
1/1 X0

名稱: TYPE C 3.1 24PIN 90° SMT  
TITLE

料號: U881-P612-1F21  
PART NO.