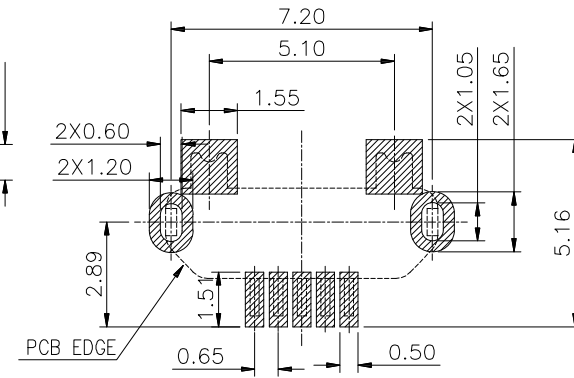
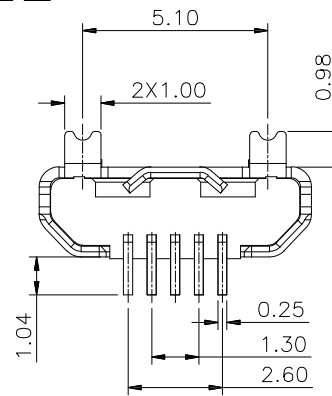
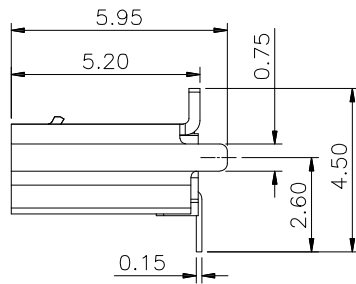
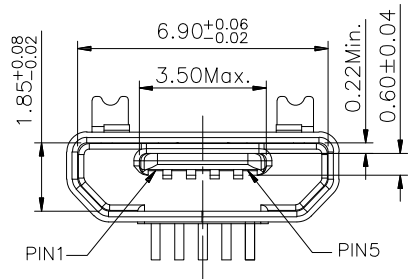
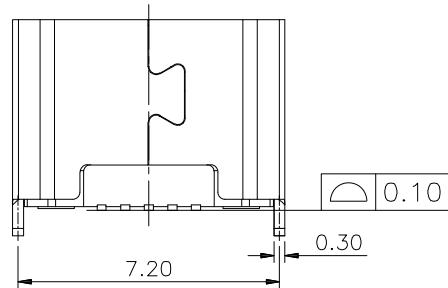


SPECIFICATION:

- 1 CURRENT RATING: 0.5A(2.3.4CONTACT)/1.8A(1.5CONTACT) MAX.
- 2 VOLTAGE: 30 VAC
- 3 TEMPERATURE RANGE: -30 °C ~ 85 °C
- 4 CONTACT RESISTANCE: 30 MILLIONHM MAX.
- 5 DIELECTRIC WITHSTANDING VOLTAGE: 250 VAC r.m.s
- 6 INSULATION RESISTNACE: 100 MEGOHMS MIN



RECOMMENDED PCB LAYOUT(TOP VIEW)  
GENERAL TOLERANCES:±0.05



A1	GND	B12	GND
A4	VBUS	B9	VBUS
A5	CC1	B8	SBU2
A6	DP1	B7	DN2
A7	DN1	B6	DP2
A8	SBU1	B5	CC2
A9	VBUS	B4	VBUS
A12	GND	B1	GND
PIN	SIGNAL NAME	PIN	SIGNAL NAME

更改 REV.	設 變 內 容 MODIFICATION	修改 DRAWN	核准 APPROVED
------------	-------------------------	-------------	----------------

TOLERANCE UNLESS SPECIFIED	
LINEAR	ANGLE
.X ± 0.30	X.° ± 5°
.XX ± 0.20	.X° ± 2°
.XXX ± 0.10	.XX° ± 1°
日期 Date	2016.11.15
審核 Examine	JASON
製圖 Drawing	JAY

朝富科技股份有限公司  
 JOIN TEK JOIN TEK CORPORATION CO., LTD.

UNIT	SHEET	VER.
mm	1/1	X0

名稱: USB 2.0 MICRO 5P 直立式SMT無翻邊  
 TITLE  
 料號: U543-5112-1920  
 PART NO.