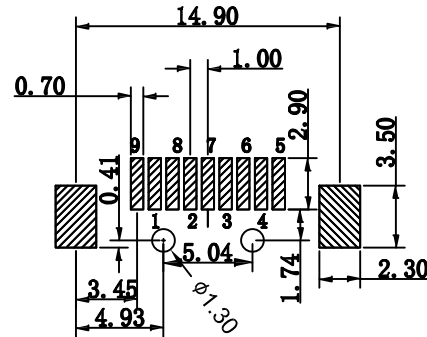
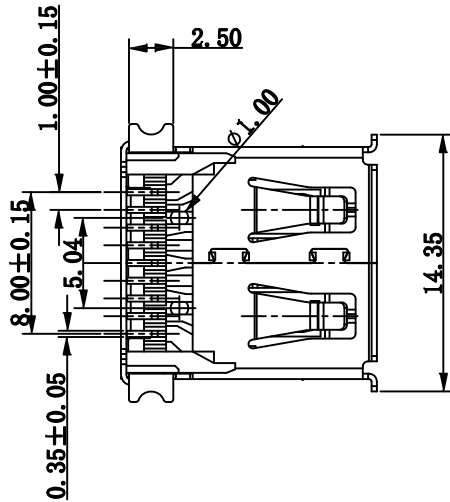
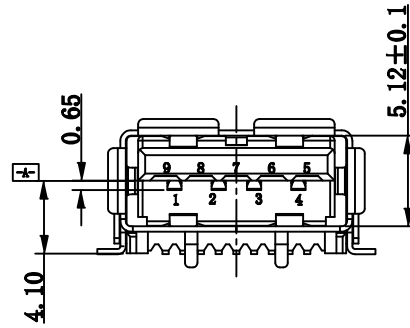
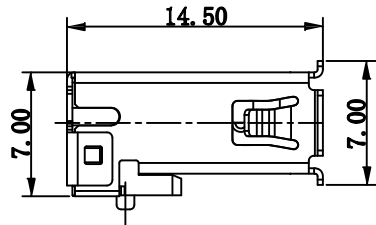
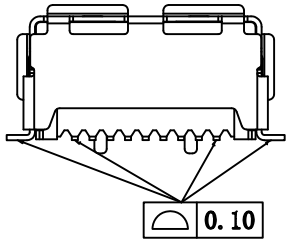
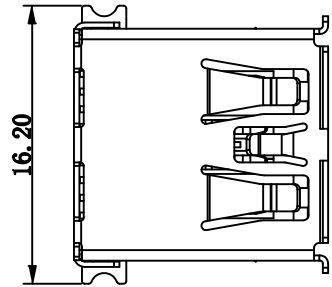


RoHS



P.C.B LAYOUT

NOTE:

1. MATERIAL:

- 1.1 INSULATOR:LCP UL 94V-0
- 1.2 CONTACT:BRONZE
- 1.3 SHELL:BRASS

2. ELECTRICAL CHARACTERISTICS:

- 2.1 CONTACT RESISTANCE:30mΩ MAXIMUM
- 2.2 CONTACT CURRENT RATING:1.5A
- 2.3 DIELECTRIC WITHSTANDING VOLTAGE:100 V AC R.M.S.
- 2.4 INSULATION RESISTANCE 100 MEGOHMS MIN
- 2.5 OPERATING TEMPERATURE:-40° C ~ 85° C

3 MECHANICAL CHARACTERISTICS:

- 3.1 MATING FORCE:3.57kgf MAX
- 3.2 UNMATED FORCE:0.82kgf MIN AFTER TEST
- 3.3 DURABILITY MANDATORY:5000 CYCLES

4. PLATING

4.1 TERMINAL:

- 50u" MIN NICKEL ALL OVER
- 80u"MIN Tin ON SOLDER AREA
- (1~30)u"Au ON CONTACT AREA

4.2 SHELL:100u"MIN. NICEL ALL OVER

Pin NUMBER	SIGNAL NAME
1	VBUS
2	D-
3	D+
4	GND
5	StdA_SSRX-
6	StdA_SSRX+
7	GND_DRAIN
8	StdA_SSTX-
9	StdA_SSTX+
Shell	Shield

Product	U 3 2 1 - 9 2 C 2 - B B 2 1	Code	1
U:USB		Package	2:Reel
Type 1		Shell	B:SPCC+Ni
3:USB3.0		Shell Type	B:外殼SMT有擋邊
Type 2		Terminal	2:C5191+GF+Tin
2:A/F		Housing Color	C:LCP BLUE
Type 3			
1:90° SMT			
PIN NO.			
9:9PIN			
Housing			
2:正向有柱			

TOLERANCE UNLESS SPECIFIED	
LINEAR	ANGLE
.X ± 0.30	.X° ± 5°
.XX ± 0.20	.X' ± 2°
.XXX ± 0.10	.XX" ± 1°
日期	2018.07.30
審核	
製圖	JASON
更改 REV	設變內容 MODIFICATION
修改 DRAWN	核准 APPROVED

朝富科技股份有限公司
JOIN TEK JOIN TEK CORPORATION CO., LTD.

SCALE	SHEET	VER.
	1/1	A

名稱: USB 3.0 AF 90° SMT
 TITLE: 外殼SMT擋邊 有定位柱

料號: U321-92C-BB21
 PART NO.