

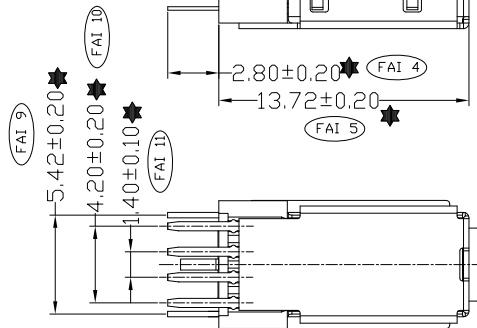
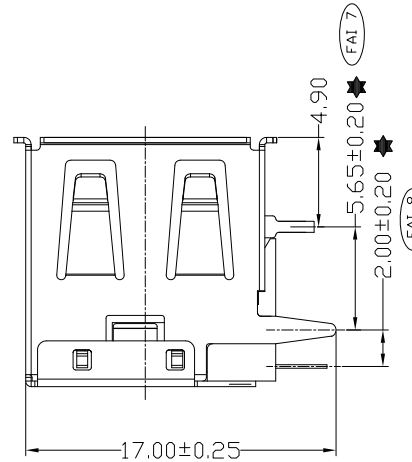
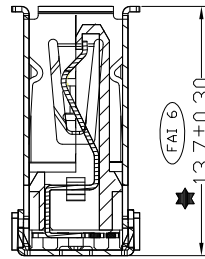
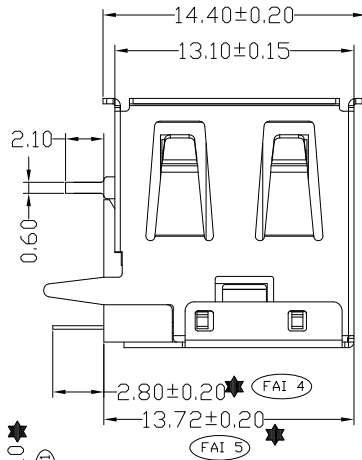
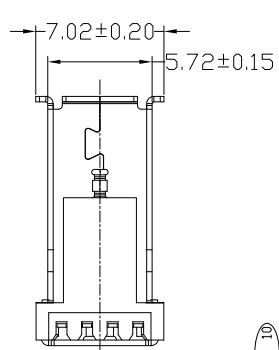
RECOMMEND PCB LAYOUT

NOTES:

- 1.MATERIAL SPECIFICATION
  - 1) INSULATION MATERIAL THERMOPLASTIC.
  - 2) SHELL: COPPER, T: 0.30mm  
PLATING: NICKEL
  - 3) TERMINAL: COPPER ALLOY, T: 0.25mm  
PLATING: GOLD/TIN PLATED.
- 2.ELECTRICAL CHARACTERISTIC:
  - 1)INSULATION RESISTANCE: 1000M $\Omega$ [ MIN.
  - 2)CONTACT RESISTANCE: 30m $\Omega$ [ MAX.
  - 3)WITHSTANDING VOLTAGE: 500V AC.
- 3.MECHANICAL CHARACTERISTICS:
  - 1)INSERTION FORCE: 3.57Kgf MAX.
  - 2)EXTRACTION FORCE: 1.02Kgf MIN.

4.THE MARKES= ★ TO BE CHECKED BY PROCESS CONTROL AND Q.C

5.THE MARKES= (FAI) TO FAI BE CHECKED

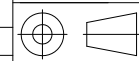


TOLERAMCE UNLESS SPECIFIED	
LINEAR	ANGLE
.X ± 0.25	.X ± 2'
.XX ± 0.20	.XX ± 1'
.XXX ± 0.10	.XXX ± 0.5'



JOIN TEK

朝富科技股份有限公司  
JOIN TEK CORPORATION CO., LTD.



SCALE	SHEET	VER.
	1/1	X0

3	Shell : COPPER	1								
2	Terminal : Copper Alloy	4								
1	Housing : LCP BLACK	1								
项次	品名/规格	使用量	备注	更改 REV.	設 變 內 容 MODIFICATION	修改 DRAWN	核准 APPROVED	製 圖	LXT	

名稱 :	USB A/F 90° 13.7mm側插式
TITLE	加蓋直腳有翻邊 焊錫腳長2.8mm
料號 :	U225-411B-2930
PART NO.	