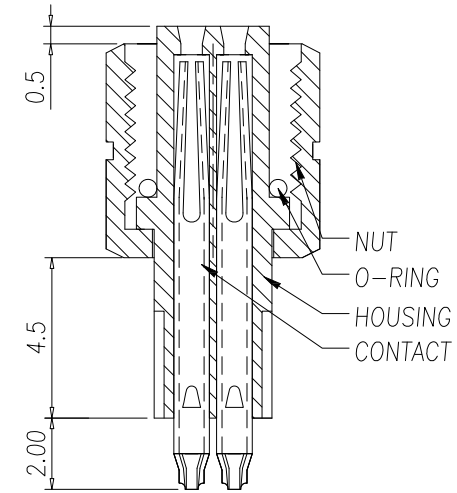
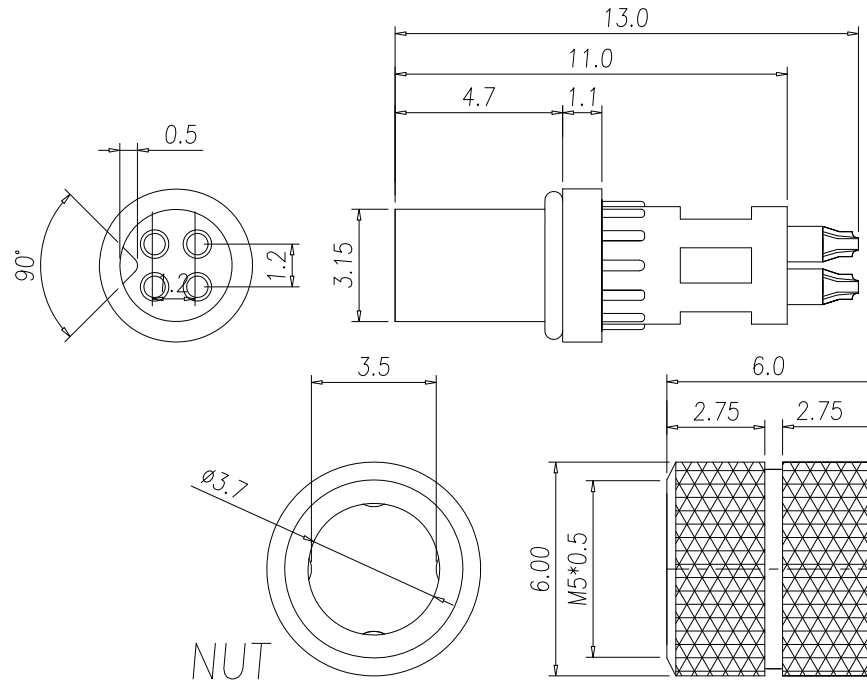
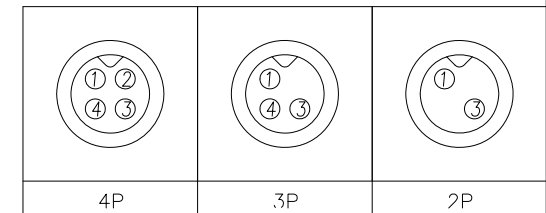



PRODUCT	PART NO
M5 Waterproof Female 2P	JTWP-F202-5110
M5 Waterproof Female 3P	JTWP-F303-5110
M5 Waterproof Female 4P	JTWP-F404-5110



- MATERIAL :
  - HOUSING : TPU ; COLOR : BLACK
  - CONTACT : PHOSPHOR BRONZE
  - NUT : BRASS
  - O-RING : NBR ; COLOR : BLACK
- FINISH :
  - CONTACT : GOLD FLASH
  - NUT : ANODIZING
- ELECTRICAL SPECIFICATION :
  - Rated current : 1A
  - Rated Voltage : 60V
  - Water proof: IP67
- Environmental :
  - Operation Temperature : -20 °C~85°C



		TOLERANCE UNLESS SPECIFIED	
		LINEAR	ANGLE
		.X ± 0.30	X' ± 5'
		.XX ± 0.20	.X' ± 2'
		.XXX ± 0.10	.XX' ± 1'
		日期	2020.11.25
A0	New Release	審核	
更改 REV.	設變內容 MODIFICATION	修改 DRAWN	核准 APPROVED
		製圖	BEAR


**朝富科技股份有限公司**  
 JOIN TEK JOIN TEK CORPORATION CO., LTD.

UNIT	SHEET	VER.
	1/1	A0

名稱 : M5 Waterproof Connector  
 TITLE Female 2~4PIN

料號 : JTWP-Fx0x-5110  
 PART NO.