

FEATURE AND SPECIFICATIONS

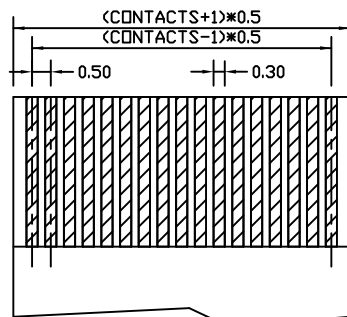
SIZES 03 TO 60 PIN.
 FOR 0.3mm THICKNESS FFC/FPC.
 VOLTAGE: 50V MAX.
 CURRENT: 0.5A MAX.
 CONTACT RESISTANCE: 20 milliohms MAX.
 INSULATION RESISTANCE: 50 Megohms MIN.
 DIELECTRIC WITHSTANDING VOLTAGE: 250V AC.
 TEMPERATURE: -40°C TO 85°C

MATERIAL AND FINISH

HOUSING: SEE ORDERING CODE
 ACTUATOR: HIGH-TEMP. THERMOPLASTIC. UL 94V-0.
 CONTACT: PHOSPHOR BRONZE. PLATING: SEE ORDERING CODE
 HOLDDOWN: BRASS. PLATING: SEE ORDERING CODE

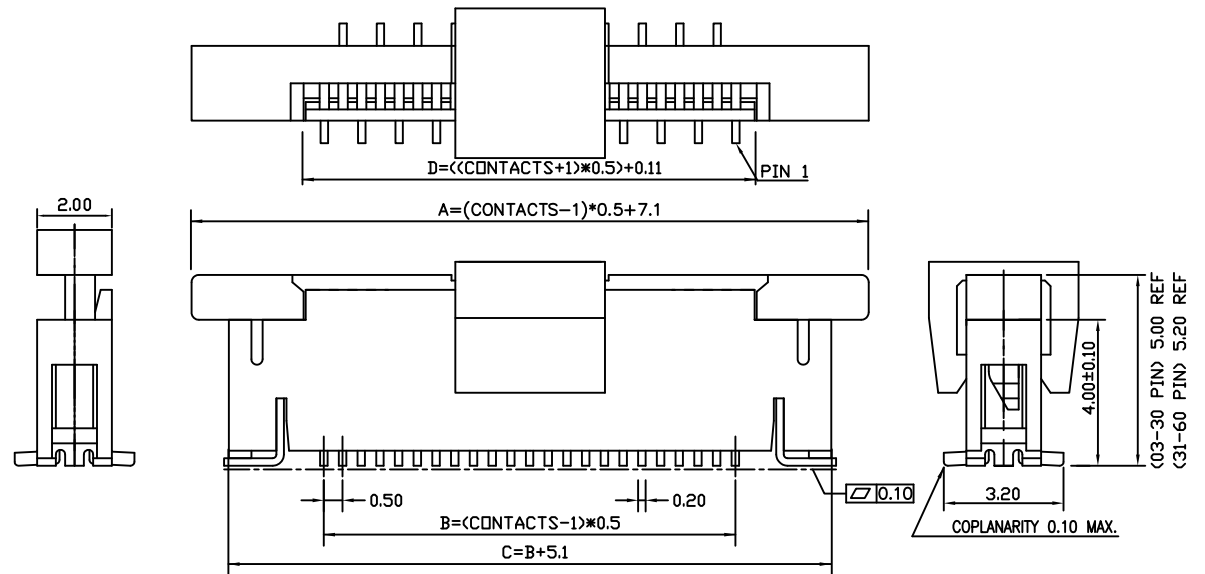
ORDERING CODE

FFC/FPC — JF 5 2 - 2 X X - X 1 1 X - X — PLANTING
 PITCH 0.5mm —
 VERTICAL —
 CONTACT TYPE —
 1: NORMAL TYPE
 2: REVERSE TYPE
 NO. OF CONTACTS —
 03-60 PIN
 MATERIALS —
 5: HOUSING PA-46(TE250F8)
 ACTUATOR(PPS BLACK)
 2: GOLD FLASH
 3: Au 3u"
 4: Au 5u"
 A: MATTE TIN 100u" MIN, OVER
 50u" MIN NI ON CONTACT
 PACKING TYPE
 1: TUBE 2: REEL
 4: WITH CAP(REEL)
 HOLDDOWN TYPE
 1: HOLDDOWN TYPE 1.
 TAIL LENGTH
 1: TAIL LENGTH 3.20mm.

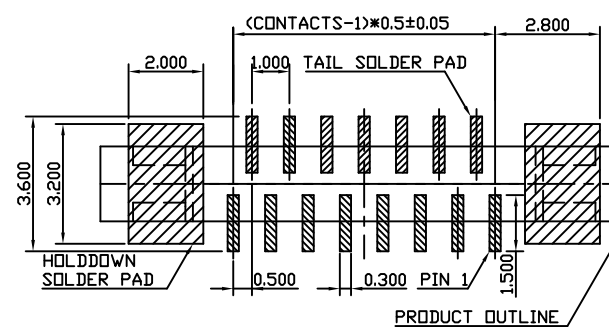


FFC/FPC DIMENSION
 THICKNESS 0.30 mm

REVERSE TYPE

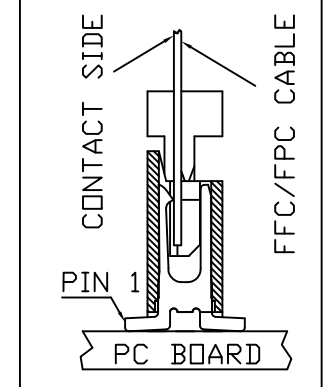


REVERSE TYPE



RECOMMENDED PCB LAYOUT

REVERSE TYPE



		TOLERANCE UNLESS SPECIFIED	
		LINEAR	ANGLE
		.X ± 0.30	X° ± 5°
		.XX ± 0.20	.X° ± 2°
		.XXX ± 0.10	.XX° ± 1°
		日期	2006.12.01
A3	變更為塑膠吸取CAP	Jason 2013.04.25	審核
更改 REV.	設 變 內 容 MODIFICATION	修改 DRAWN	核准 APPROVED
		製 圖	JASON

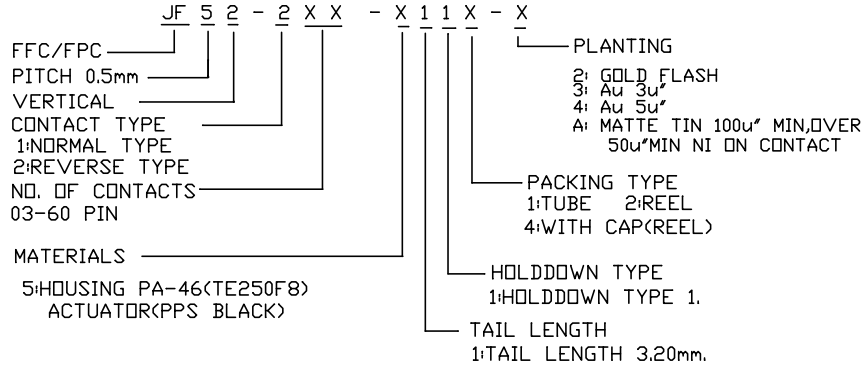
朝富科技股份有限公司
 JOIN TEK CORPORATION CO., LTD.

SCALE SHEET VER.
 1/2 A3

名稱: ZIF FPC 0.5mm SMT CONN.
 TITLE: VERTICAL TOP ENTRY TYPE

料號: JF52-2XX-X11X-X
 PART NO.

ORDERING CODE




PIN	A	B	C	D	PIN	A	B	C	D
3	8.10	1.00	6.10	2.11	32	22.60	15.50	20.60	16.61
4	8.60	1.50	6.60	2.61	33	23.10	16.00	21.10	17.11
5	9.10	2.00	7.10	3.11	34	23.60	16.50	21.60	17.61
6	9.60	2.50	7.60	3.61	35	24.10	17.00	22.10	18.11
7	10.10	3.00	8.10	4.11	36	24.60	17.50	22.60	18.61
8	10.60	3.50	8.60	4.61	37	25.10	18.00	23.10	19.11
9	11.10	4.00	9.10	5.11	38	25.60	18.50	23.60	19.61
10	11.60	4.50	9.60	5.61	39	26.10	19.00	24.10	20.11
11	12.10	5.00	10.10	6.11	40	26.60	19.50	24.60	20.61
12	12.60	5.50	10.60	6.61	41	27.10	20.00	25.10	21.11
13	13.10	6.00	11.10	7.11	42	27.60	20.50	25.60	21.61
14	13.60	6.50	11.60	7.61	43	28.10	21.00	26.10	22.11
15	14.10	7.00	12.10	8.11	44	28.60	21.50	26.60	22.61
16	14.60	7.50	12.60	8.61	45	29.10	22.00	27.10	23.11
17	15.10	8.00	13.10	9.11	46	29.60	22.50	27.60	23.61
18	15.60	8.50	13.60	9.61	47	30.10	23.00	28.10	24.11
19	16.10	9.00	14.10	10.11	48	30.60	23.50	28.60	24.61
20	16.60	9.50	14.60	10.61	49	31.10	24.00	29.10	25.11
21	17.10	10.00	15.10	11.11	50	31.60	24.50	29.60	25.61
22	17.60	10.50	15.60	11.61	51	32.10	25.00	30.10	26.11
23	18.10	11.00	16.10	12.11	52	32.60	25.50	30.60	26.61
24	18.60	11.50	16.60	12.61	53	33.10	26.00	31.10	27.11
25	19.10	12.00	17.10	13.11	54	33.60	26.50	31.60	27.61
26	19.60	12.50	17.60	13.61	55	34.10	27.00	32.10	28.11
27	20.10	13.00	18.10	14.11	56	34.60	27.50	32.60	28.61
28	20.60	13.50	18.60	14.61	57	35.10	28.00	33.10	29.11
29	21.10	14.00	19.10	15.11	58	35.60	28.50	33.60	29.61
30	21.60	14.50	19.60	15.61	59	36.10	29.00	34.10	30.11
31	22.10	15.00	20.10	16.11	60	36.60	29.50	34.60	30.61

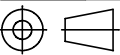
FEATURE AND SPECIFICATIONS

SIZES 03 TO 60 PIN.
 FOR 0.3mm THICKNESS FFC/FPC.
 VOLTAGE:50V MAX.
 CURRENT:0.5A MAX.
 CONTACT RESISTANCE:20 milliohms MAX.
 INSULATION RESISTANCE:50 Megohms MIN.
 DIELECTRIC WITHSTANDING VOLTAGE:250V AC.
 TEMPERATURE:-40°C TO 85°C

MATERIAL AND FINISH
 HOUSING:SEE ORDERING CODE
 ACTUATOR:HIGH-TEMP. THERMOPLASTIC. UL 94V-0.
 CONTACT:PHOSPHOR BRONZE. PLATING:SEE ORDERING CODE
 HOLDDOWN:BRASS. PLATING:SEE ORDERING CODE

				TOLERANCE UNLESS SPECIFIED	
				LINEAR	ANGLE
				.X ± 0.30	X.* ± 5°
				.XX ± 0.20	.X.* ± 2°
				.XXX ± 0.10	.XX.* ± 1°
				日期	2006.12.01
A3	變更為塑膠吸取CAP	Jason		審核	
更改	設變內容	修改	核准	製圖	JASON
REV.	MODIFICATION	DRAWN	APPROVED		

 **朝富科技股份有限公司**
 JOIN TEK CORPORATION CO., LTD.

 **SCALE** SHEET VER.
 2/2 A3

名稱: ZIF FPC 0.5mm SMT CONN.
 TITLE VERTICAL TOP ENTRY TYPE

料號: JF52-2XX-X11X-X
 PART NO.