

# ORDERING CODE

JF 5 1 - 1 X X - X 2 2 X - X

FFC\FPC  
 PITCH 0.5mm  
 HORIZONTAL  
 CONTACT TYPE  
 1:UPPER CONTACT  
 NO. OF CONTACTS  
 03-60 PIN  
 HOUSING & ACTUATOR MATERIALS  
 5:HOUSING PA-46, ACTUATOR PPS  
 (BLACK)UL 94V-0

PLATING  
 1: BRIGTE TIN 100u" MIN,OVER  
 50u"MIN NI ON CONTACT  
 2: GOLD FLASH  
 3: Au 3u"  
 4: Au 5u"  
 A: MATTE TIN 100u" MIN,OVER  
 50u"MIN NI ON CONTACT

PACKING TYPE  
 1:TUBE  
 2:REEL

HOLDDOWN TYPE  
 2:HOLDDOWN TYPE 2.

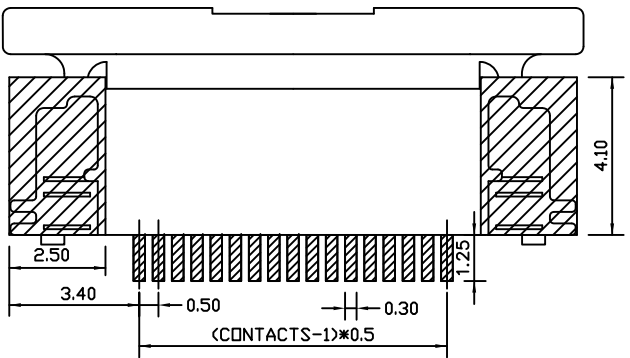
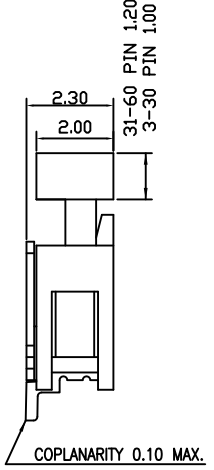
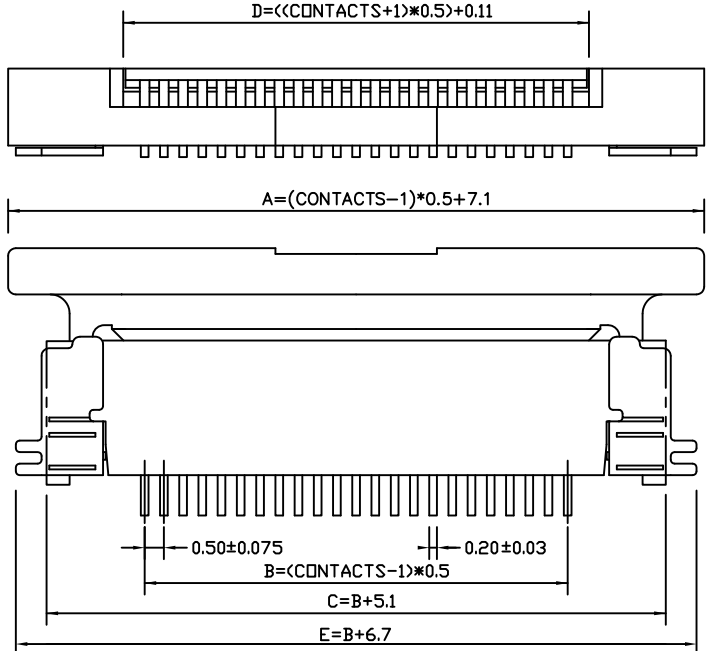
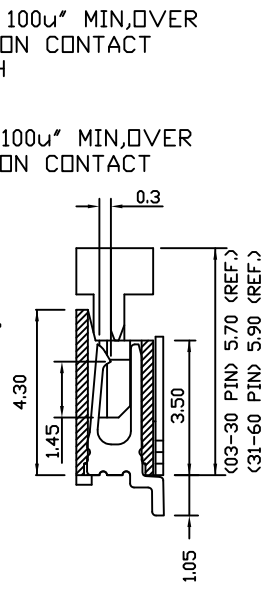
TAIL LENGTH  
 2:TAIL LENGTH 1.05mm.

## FEATURE AND SPECIFICATIONS

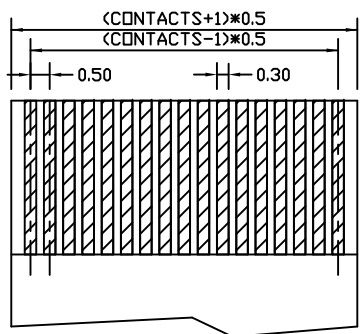
SIZES 03 TO 60 PIN.  
 FOR 0.3mm THICKNESS FFC/FPC.  
 VOLTAGE: 50V MAX.  
 CURRENT: 0.5A MAX.  
 CONTACT RESISTANCE: 20 milliohms MAX.  
 INSULATION RESISTANCE: 50 Megohms MIN.  
 DIELECTRIC WITHSTANDING VOLTAGE: 250V AC.  
 TEMPERATURE: -40°C TO 85°C

## MATERIAL AND FINISH

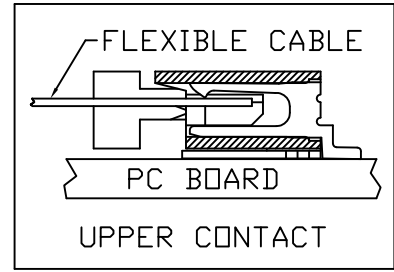
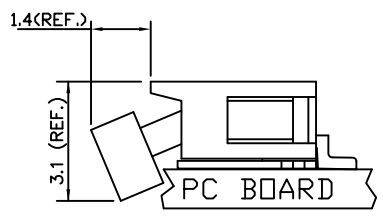
HOUSING: HIGH-TEMP. THERMOPLASTIC. UL 94V-0.  
 ACTUATOR: HIGH-TEMP. THERMOPLASTIC. UL 94V-0.  
 CONTACT: SEE ORDERING CODE  
 HOLDDOWN: BRASS. PLATING: Tin 100u",over Ni50u"



RECOMMENDED PCB LAYOUT



FFC/FPC DIMENSION THICKNESS 0.30 mm



.X±0.20	.X±	單位 MM	料號	朝富科技股份有限公司
.XX±0.15	.XX±	材質	JF51-1XX-X22X-X	
.XXX±0.10	.XXX±		處理	名稱 ZIF FPC 0.5mm SMT TITLE CONN. HORIZONTAL SIDE ENTRY TYPE
本藍圖為朝富科技股份有限公司所有. 未經本公司書面許可, 嚴禁印製			數量	圖號 DWG NO. JF51-1XX-X22X-X
			日期 2007.03.05	審核
			製圖: DANIEL	SCALE SHEET REV. 5:1 1/1 A

更改 REV	設 變 內 容 MODIFICATION	修 改 DRAWN	核 准 APPROVED

PIN	A	B	C	D	E		PIN	A	B	C	D	E
3	8.10	1.00	6.10	2.11	7.70		31	22.10	15.00	20.10	16.11	21.70
4	8.60	1.50	6.60	2.61	8.20		32	22.60	15.50	20.60	16.61	22.20
5	9.10	2.00	7.10	3.11	8.70		33	23.10	16.00	21.10	17.11	22.70
6	9.60	2.50	7.60	3.61	9.20		34	23.60	16.50	21.60	17.61	23.20
7	10.10	3.00	8.10	4.11	9.70		35	24.10	17.00	22.10	18.11	23.70
8	10.60	3.50	8.60	4.61	10.20		36	24.60	17.50	22.60	18.61	24.20
9	11.10	4.00	9.10	5.11	10.70		37	25.10	18.00	23.10	19.11	24.70
10	11.60	4.50	9.60	5.61	11.20		38	25.60	18.50	23.60	19.61	25.20
11	12.10	5.00	10.10	6.11	11.70		39	26.10	19.00	24.10	20.11	25.70
12	12.60	5.50	10.60	6.61	12.20		40	26.60	19.50	24.60	20.61	26.20
13	13.10	6.00	11.10	7.11	12.70		41	27.10	20.00	25.10	21.11	26.70
14	13.60	6.50	11.60	7.61	13.20		42	27.60	20.50	25.60	21.61	27.20
15	14.10	7.00	12.10	8.11	13.70		43	28.10	21.00	26.10	22.11	27.70
16	14.60	7.50	12.60	8.61	14.20		44	28.60	21.50	26.60	22.61	28.20
17	15.10	8.00	13.10	9.11	14.70		45	29.10	22.00	27.10	23.11	28.70
18	15.60	8.50	13.60	9.61	15.20		46	29.60	22.50	27.60	23.61	29.20
19	16.10	9.00	14.10	10.11	15.70		47	30.10	23.00	28.10	24.11	29.70
20	16.60	9.50	14.60	10.61	16.20		48	30.60	23.50	28.60	24.61	30.20
21	17.10	10.00	15.10	11.11	16.70		49	31.10	24.00	29.10	25.11	30.70
22	17.60	10.50	15.60	11.61	17.20		50	31.60	24.50	29.60	25.61	31.20
23	18.10	11.00	16.10	12.11	17.70		51	32.10	25.00	30.10	26.11	31.70
24	18.60	11.50	16.60	12.61	18.20		52	32.60	25.50	30.60	26.61	32.20
25	19.10	12.00	17.10	13.11	18.70		53	33.10	26.00	31.10	27.11	32.70
26	19.60	12.50	17.60	13.61	19.20		54	33.60	26.50	31.60	27.61	33.20
27	20.10	13.00	18.10	14.11	19.70		55	34.10	27.00	32.10	28.11	33.70
28	20.60	13.50	18.60	14.61	20.20		56	34.60	27.50	32.60	28.61	34.20
29	21.10	14.00	19.10	15.11	20.70		57	35.10	28.00	33.10	29.11	34.70
30	21.60	14.50	19.60	15.61	21.20		58	35.60	28.50	33.60	29.61	35.20
							59	36.10	29.00	34.10	30.11	35.70
							60	36.60	29.50	34.60	30.61	36.20

.X±0.20	.X±	單位 MM	料號 JF51-XXX-X22X-1	朝富科技股份有限公司			
.XX±0.15	.XX±	材質					
.XXX±0.10	.XXX±	處理		名稱 ZIF FPC 0.5mm SMT TITLE CONN. HORIZONTAL			
本藍圖為朝富科技 股份有限公司所有. 未經 本公司書面許可, 嚴禁印製			日期 2007.03.05	圖號 DWG NO.	JF51-XXX-X22X-1		
			數量	審核			
			製圖: GAVIN		SCALE	SHEET	REV.
				5:1	2/2	A	