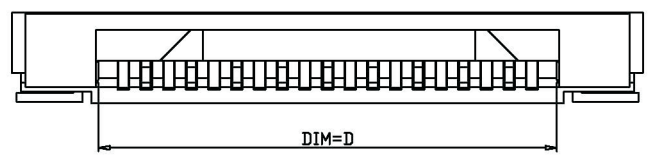
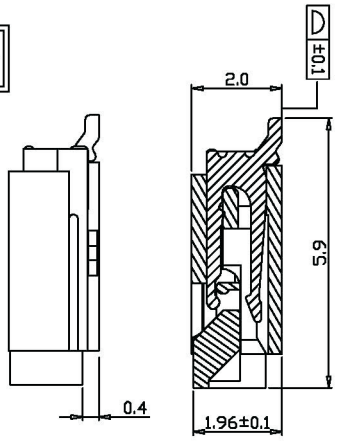
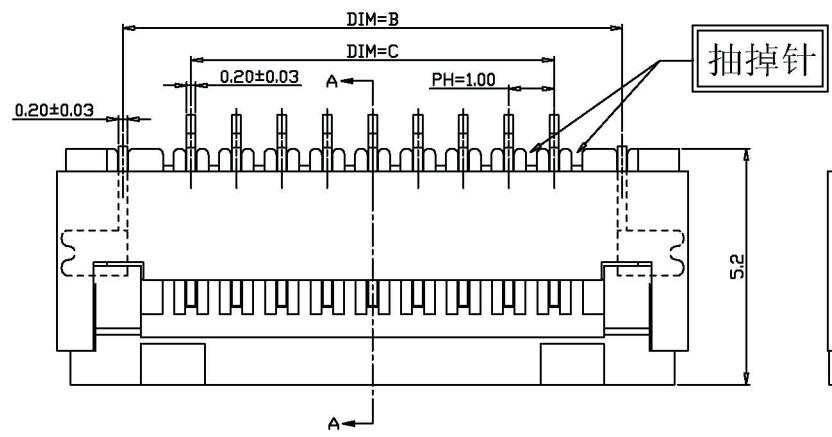
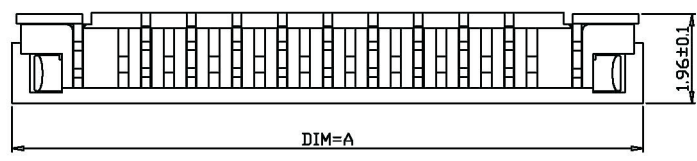


Electrical Characteristics:  
 Current rating: 0.5A AC/DC  
 Voltage rating: 50V AC/DC  
 Temperature range: -25°C~+85°C  
 Withstand Voltage: 500V AC/Minute  
 Contact Resistance: ≤ 20mΩ  
 Insulation resistance: ≥ 800mΩ  
 Relative Humidity: 93%+40°C

Material Description:  
 Contact: Phosphor Bronze Tin-Leadplated  
 Solder Tab: Phosphor Bronze Tin-plated  
 Housing: Thermoplastic(UL94V-0)  
 Slider: Thermoplastic(UL94V-0)



PIN数	DIM=A	DIM=B	DIM=C	DIM=D
30P	34.9	32.00	29.00	31.10
29P	33.9	31.00	28.00	30.10
28P	32.9	30.00	27.00	29.10
27P	31.9	29.00	26.00	28.10
26P	30.9	28.00	25.00	27.10
25P	29.9	27.00	24.00	26.10
24P	28.9	26.00	23.00	25.10
23P	27.9	25.00	22.00	24.10
22P	26.9	24.00	21.00	23.10
21P	25.9	23.00	20.00	22.10
20P	24.9	22.00	19.00	21.10
19P	23.9	21.00	18.00	20.10
18P	22.9	20.00	17.00	19.10
17P	21.9	19.00	16.00	18.10
16P	20.9	18.00	15.00	17.10
15P	19.9	17.00	14.00	16.10
14P	18.9	16.00	13.00	15.10
13P	17.9	15.00	12.00	14.10
12P	16.9	14.00	11.00	13.10
11P	15.9	13.00	10.00	12.10
10P	14.9	12.00	9.00	11.10
9P	13.9	11.00	8.00	10.10
8P	12.9	10.00	7.00	9.10
7P	11.9	9.00	6.00	8.10
6P	10.9	8.00	5.00	7.10
5P	9.9	7.00	4.00	6.10
4P	8.9	6.00	3.00	5.10
3P	7.9	5.00	2.00	4.10
2P	6.9	4.00	1.00	3.10

ORDERING CODE

JSF1 3 - 2 X X - X 1 1 X - X

FFC\FPC  
 PITCH 1.0mm  
 HORIZONTAL  
 CONTACT TYPE  
 2:LOWER CONTACT

NO. OF CONTACTS  
 06-60 PIN  
 HOUSING & ACTUATOR MATERIALS  
 9:HOUSING PA-46, ACTUATOR PPS  
 (BLACK)UL 94V-0

PLANTING  
 A: MATTE TIN 100u" MIN.OVER  
 50u"MIN NI ON CONTACT

PACKING TYPE  
 1:TUBE  
 2:REEL

HOLDDOWN TYPE  
 1:HOLDDOWN TYPE 1.  
 TAIL LENGTH  
 1:TAIL LENGTH 0.70mm.

		TOLERANCE UNLESS SPECIFIED	
		LINEAR	ANGLE
更改 REV.	設 變 內 容 MODIFICATION	.X ± 0.30	.X° ± 5°
		.XX ± 0.20	.X° ± 2°
		.XXX ± 0.10	.XX° ± 1°
		日期	2012.04.10
		審 核	JASON
		製 圖	KEN

**朝富科技股份有限公司**  
 JOIN TEK CORPORATION CO., LTD.

SCALE SHEET VER.  
 1/1 A2

名稱: FPC CONNECTOR  
 TITLE: PITCH=1.0mm Hr:2.0

料號: JSF13-2XX-911X-X  
 PART NO.