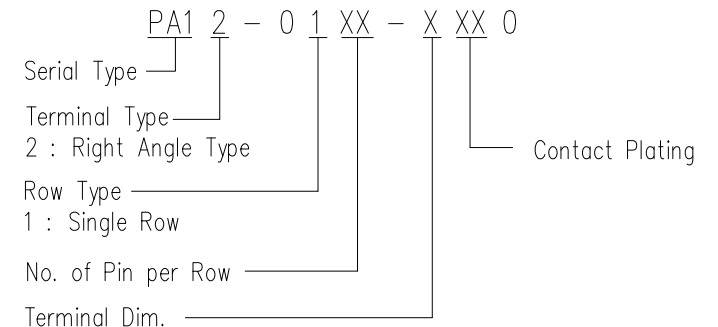


Specifications

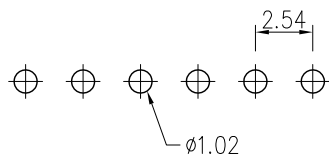
Current Rating : 3 Amps
 Insulator Resistance : 1000 Megohms min.
 Contact Resistance : 20 m ohms max.
 Dielectric Withstanding : AC 600V
 Operating Temperature : -40°C ~ +105°C
 Contact Material : Brass
 Insulator Material : Polyester, UL 94V-0
 Standard : 6T
 Contact Plated : Full Gold, Full Tin, Selective Plated

Order Information



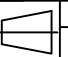


- Terminal Dim.
1. AL=1.5 ,BL=3.0 ,C=6.0
 2. AL=3.0 ,BL=3.0 ,C=2.5
 3. AL=0.5 ,BL=3.0 ,C=5.0
 4. AL=3.68 ,BL=8.00 ,C=6.00
 5. AL=1.00 ,BL=3.00 ,C=7.00
 6. AL=1.50 ,BL=6.00 ,C=3.00
 7. AL=3.50 ,BL=2.50 ,C=3.00
 8. AL=0.5 ,BL=3.80 ,C=3.10
 9. AL=1.65 ,BL=1.50 ,C=4.50
 - A. AL=1.00 ,BL=3.00 ,C=8.00

Recommended
P.C. Board
Hole Layout



| Contact Plating Type | | |
|---|--|------------------|
| Full Gold Plating | Duplex Plating Gold Plated On Contact Area Tin Plated On Solder Area | Full Tin Plating |
| GF : Gold Flash G1 : Gold 3u" G2 : Gold 5u" G3 : Gold 10u" G4 : Gold 15u" | HF : Gold Flash, Tin 100u" H1 : Gold 3u", Tin 100u" H2 : Gold 5u", Tin 100u" H3 : Gold 10u", Tin 100u" H4 : Gold 15u", Tin 100u" | T1 : Tin 100u" |

| | | | | | | |
|------------|----------------------|-------------|----------------|----------------------------|------------|---|
| | | | | TOLERANCE UNLESS SPECIFIED | |  朝富科技股份有限公司 JOIN TEK CORPORATION CO., LTD. |
| | | | | LINEAR | ANGLE | |
| | | | | .X ± 0.25 | X.' ± 5' | |
| | | | | .XX ± 0.15 | .X' ± 2' | |
| | | | | .XXX ± 0.05 | .XX' ± 1' |   SCALE SHEET VER. 1/1 A |
| | | | | 日期 | 2006.01.20 | 名稱 : Pin Header P2.54mm |
| | | | | 審核 | | TITLE Single Row, Right Angle Type |
| 更改 REV. | 設變內容 MODIFICATION | 修改 DRAWN | 核准 APPROVED | 製圖 | SAM | 料號 : PART NO. PA12-01XX-XXX0 |