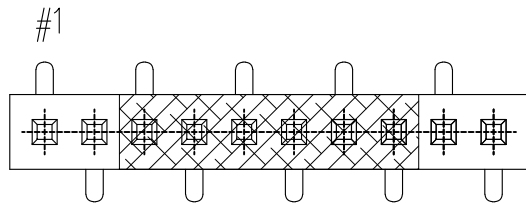
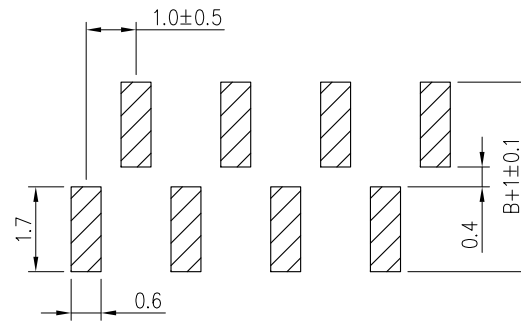
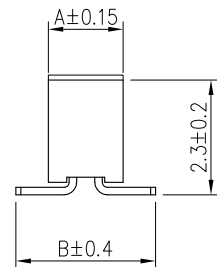
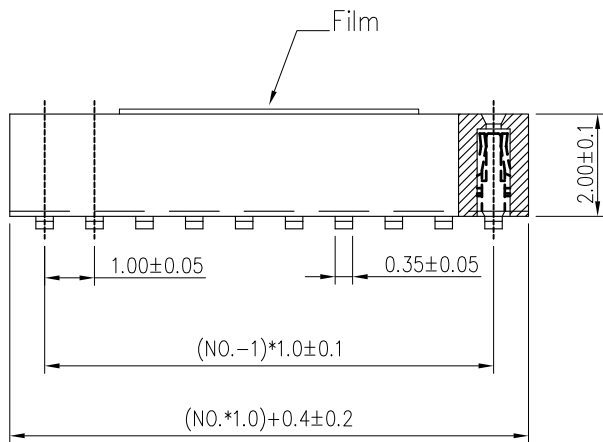
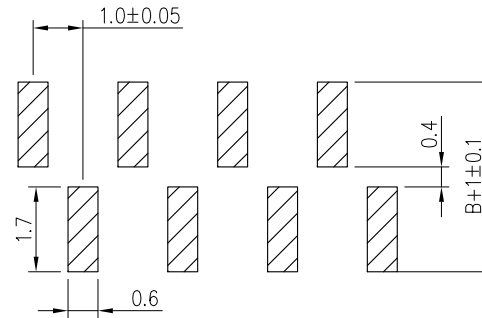


B-Type



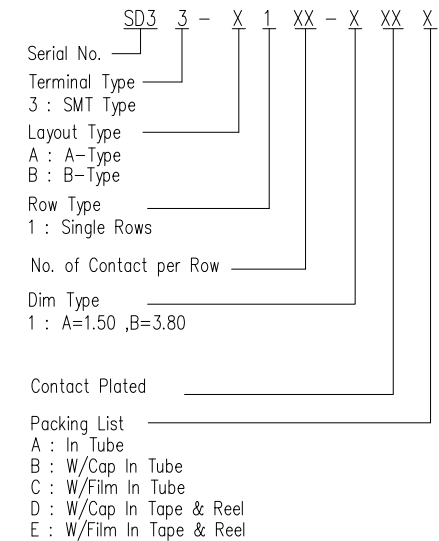
A-Type



SPECIFICATIONS

1. Current Rate : 1Amp
2. Operation Temperature : -40°C ~105°C.
3. Contact Resistance : 20mΩ Max.
4. Insulation Resistance : 1000MΩ Min.
5. Withstanding Voltage : AC 500V
6. Insulator Material : High Temperature UL94V-0 , Nylon-6T
7. Contact Material : Copper alloy

Order Information



Contact Plating Type		
Full Gold Plating	Duplex Plating Gold Plated On Contact Area Tin Plated On Solder Area	Full Tin Plating
GF : Gold Flash G1 : Gold 3u" G2 : Gold 5u" G3 : Gold 10u" G4 : Gold 15u"	HF : Gold Flash, Tin 100u" H1 : Gold 3u", Tin 100u" H2 : Gold 5u", Tin 100u" H3 : Gold 10u", Tin 100u" H4 : Gold 15u", Tin 100u"	T1 : Tin 100u"

TOLERAMCE UNLESS SPECIFIED			
LINEAR		ANGLE	
.X	± 0.30	X.'	± 5'
.XX	± 0.20	.X'	± 2'
.XXX	± 0.10	.XX'	± 1'
日期	2012.09.28		
審核			
更改 REV.	設 變 內 容 MODIFICATION	修改 DRAWN	核准 APPROVED
製 圖			

朝富科技股份有限公司
JOIN TEK CORPORATION CO., LTD.

SCALE	SHEET	VER.
	1/1	A

名稱 : Female Header P1.0
TITLE H: 2.0mm, Single Rows, SMT

料號 : SD33-X1XX-XGFE
PART NO.