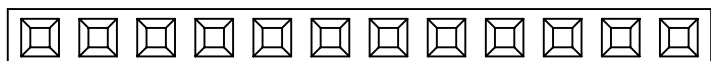
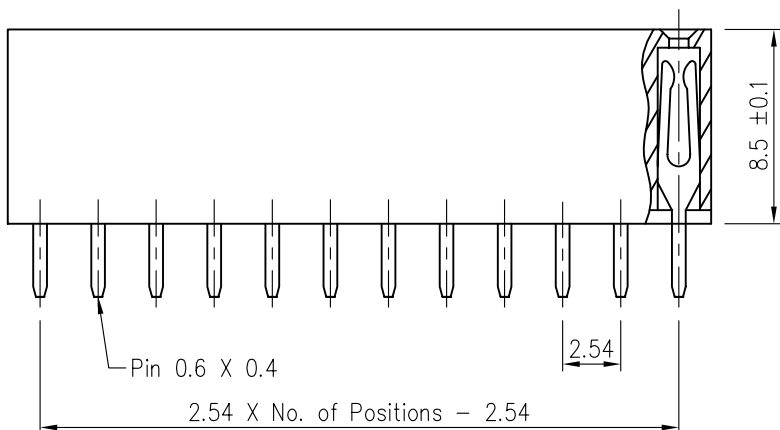


#1



2.54 X No. of Positions  $\pm 0.3$

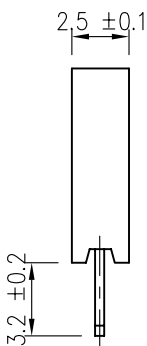


8.5  $\pm 0.1$

Pin 0.6 X 0.4

2.54 X No. of Positions - 2.54

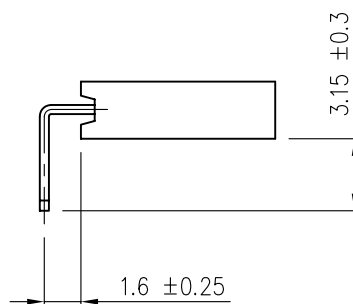
2.54



2.5  $\pm 0.1$

3.2  $\pm 0.2$

Straight



3.15  $\pm 0.3$

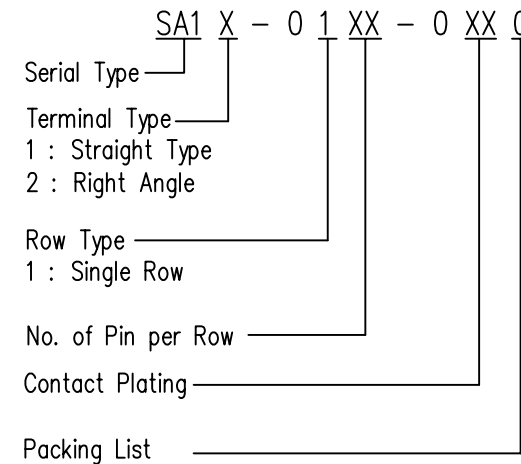
Right Angle

1.6  $\pm 0.25$

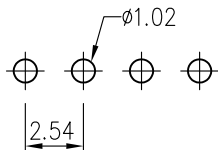
Specifications

- Current Rating : 3 Amps
- Insulator Resistance : 1000 Megohms min.
- Contact Resistance : 20 m ohms max.
- Dielectric Withstanding : AC 600V
- Operating Temperature :  $-40^{\circ}\text{C} \sim +105^{\circ}\text{C}$
- Contact Material : Brass
- Insulator Material : Polteter, UL 94V-0
- Standard : P.B.T
- Contact Plated : Full Gold, Full Tin, Selective Plated

Order Information



Recommended P.C.Board Hole Layout



Contact Plating Type		
Full Gold Plating	Duplex Plating Gold Plated On Contact Area Tin Plated On Solder Area	Full Tin Plating
AF : Gold Flash	BF : Gold Flash, Tin 100u"	C1 : Tin 100u"
A1 : Gold 3u"	B1 : Gold 3u", Tin 100u"	
A2 : Gold 5u"	B2 : Gold 5u", Tin 100u"	
A3 : Gold 10u"	B3 : Gold 10u", Tin 100u"	
A4 : Gold 15u"	B4 : Gold 15u", Tin 100u"	

.X $\pm 0.10$	.X $\pm$	單位 : MM	朝富科技股份有限公司 名稱 : TITLE : Female Header P2.54 Profile : 8.5mm, Single Row 圖號 : SA1X-01XX DWG NO. :	
.XX $\pm 0.05$	.XX $\pm$	料號 :		
.XXX $\pm 0.03$	.XXX $\pm$	SA1X-01XX-0XX0		
本藍圖為朝富科技股份有限公司所有. 未經本公司書面許可, 嚴禁印製			日期 : 2005/11/16 審核 : 製圖 : Sam	
ECN 設變	MODIFICATION 設變內容	DRAWN 修改	APPROVED 核准	SCALE FIT SHEET 1/1 REV. A

ECN 設變	MODIFICATION 設變內容	DRAWN 修改	APPROVED 核准
-----------	----------------------	-------------	----------------