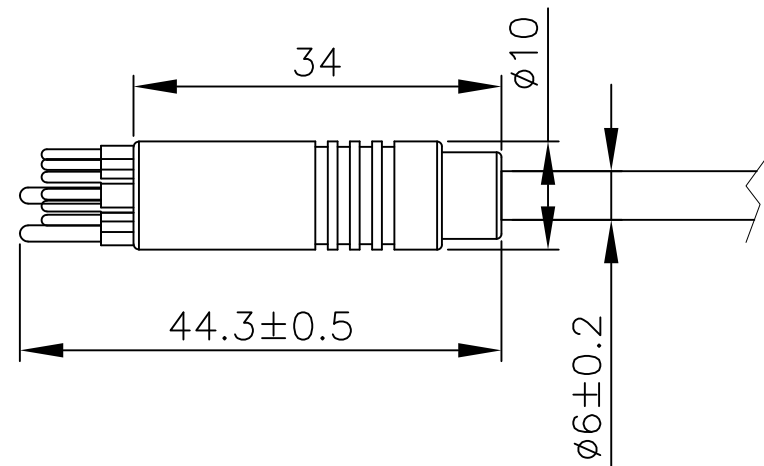


JTWP-ML09-D11V



Note:

1. Electrical Performance

- 1.1 Rated current :1~3>15A / 4~9>3A
- 1.2 Rated Voltage : 250 V
- 1.3 Insulation resistance : ≥20MΩ
- 1.4 Contact resistance : ≤10mΩ

2. Mechanical Performance

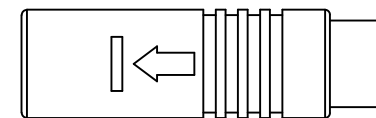
- 2.1 Durability Repeated : Insert and withdraw up to 200 cycles

3. Environmental Performance

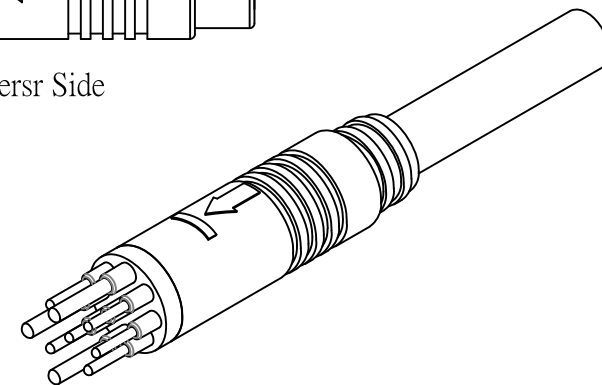
- 3.1 Ingress Protection : IP66
- 3.2 Temperature Range - Operating : -40°C ~ +80°C

4. Cable Diameter : 6.0 (mm)

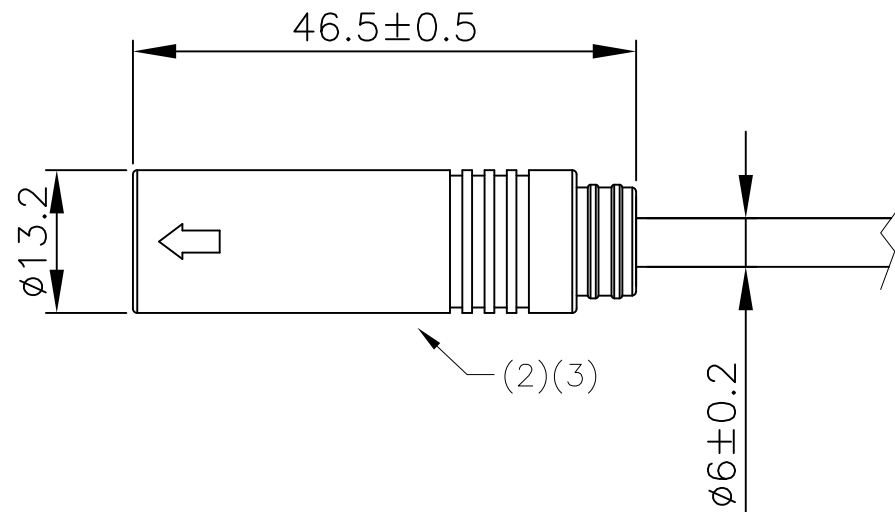
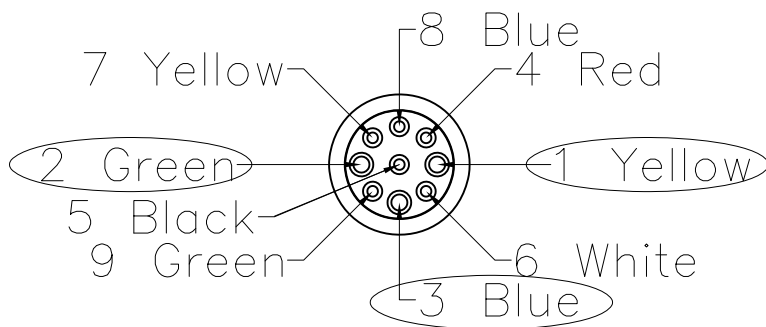
5. Cables Shall Be 100% Tested For Opens And Short And Miss.



Reversr Side



				TOLERAMCE UNLESS SPECIFIED		朝富科技股份有限公司 JOIN TEK JOIN TEK CORPORATION CO., LTD.					
				LINEAR	ANGLE				UNIT	SHEET	VER.
				.X ± 0.30	X.' ± 5'				1/1	AO	名稱 : 電機線3大6小9P Male TITLE
				.XX ± 0.20	.X' ± 2'						
				.XXX ± 0.10	.XX' ± 1'	料號 : JTWP-ML09-XX					
				日期	2020.07.29	PART NO.					
				審核	JASON						
更改 REV.	設 變 內 容 MODIFICATION	修改 DRAWN	核准 APPROVED	製 圖	BEAR						



JTWP-FL09-D11V

Note:

1. Electrical Performance

- 1.1 Rated current :1~3>15A / 4~9>3A
- 1.2 Rated Voltage : 250 V
- 1.3 Insulation resistance : ≥20MΩ
- 1.4 Contact resistance : ≤10mΩ

2. Mechanical Performance

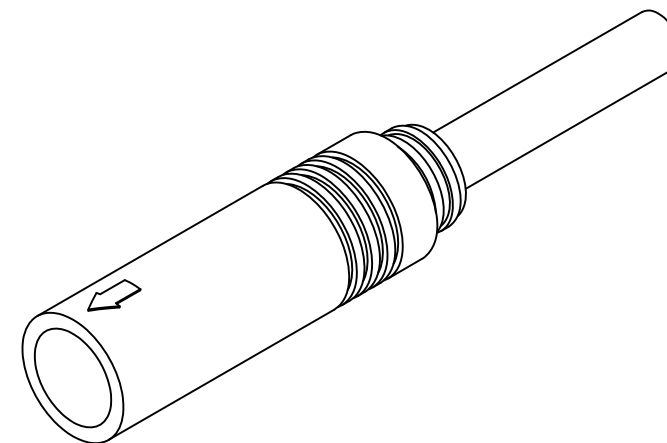
- 2.1 Durability Repeated : Insert and withdraw up to 200 cycles

3. Environmental Performance

- 3.1 Ingress Protection : IP66
- 3.2 Temperature Range - Operating : -40°C ~ +80°C

4. Cable Diameter : 6.0 (mm)

5. Cables Shall Be 100% Tested For Opens And Short And Miss.



				TOLERAMCE UNLESS SPECIFIED		朝富科技股份有限公司 JOIN TEK JOIN TEK CORPORATION CO., LTD.					
				LINEAR	ANGLE				UNIT	SHEET	VER.
				.X ± 0.30	X.' ± 5'				1/1	AO	名稱 : 電機線3大6小 9P Female TITLE
				.XX ± 0.20	.X' ± 2'						
				.XXX ± 0.10	.XX' ± 1'	料號 : JTWP-FL09-XX					
更改 REV.	設 變 內 容 MODIFICATION	修改 DRAWN	核准 APPROVED	製 圖	日期 2020.07.29	PART NO.					
				審 核 JASON							
				製 圖 BEAR							