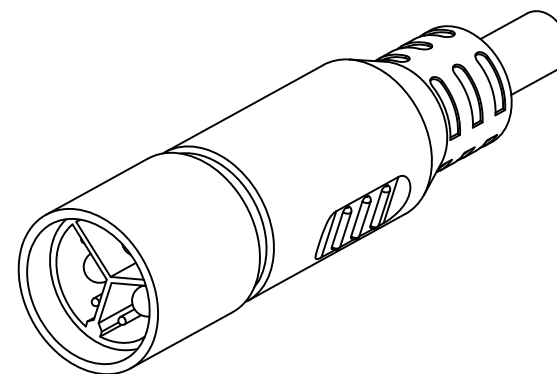
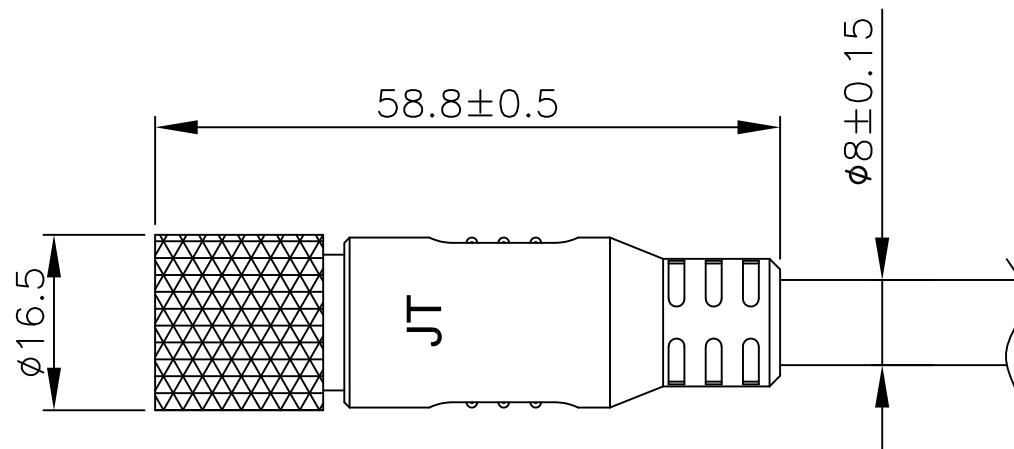


JTWP-ML09-D30V



Note:

1. Electrical Performance

- 1.1 Rated current : 1~3 : 30A / 4~9 : 3A
- 1.2 Rated Voltage : 110 V
- 1.3 Insulation resistance : $\geq 20M\Omega$
- 1.4 Contact resistance : $\leq 10m\Omega$

2. Mechanical Performance

- 2.1 Durability Repeated : Insert and withdraw up to 200 cycles

3. Environmental Performance

- 3.1 Ingress Protection : IP67
- 3.2 Temperature Range - Operating : $-40^{\circ}C \sim +105^{\circ}C$

4. Cable Diameter : 8.0 (mm)

5. Cables Shall Be 100% Tested For Opens And Short And Miss.

				TOLERANCE UNLESS SPECIFIED		朝富科技股份有限公司 JOIN TEK CORPORATION CO., LTD.			
				LINEAR	ANGLE				
				.X ± 0.30	X' ± 5'		UNIT	SHEET	VER.
				.XX ± 0.20	.X' ± 2'			1/1	AO
				.XXX ± 0.10	.XX' ± 1'	名稱：大電流 電機線3大6小 9P TITLE Male 30A			
				日期	2023.07.10	料號： JTWP-ML09-DXXV			
				審核	Jason	PART NO.			
更改 REV.	設 變 內 容 MODIFICATION	修改 DRAWN	核准 APPROVED	製 圖	Jackie				