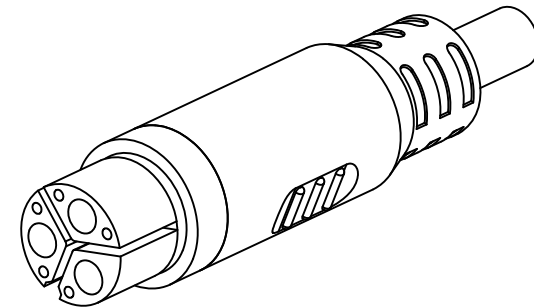
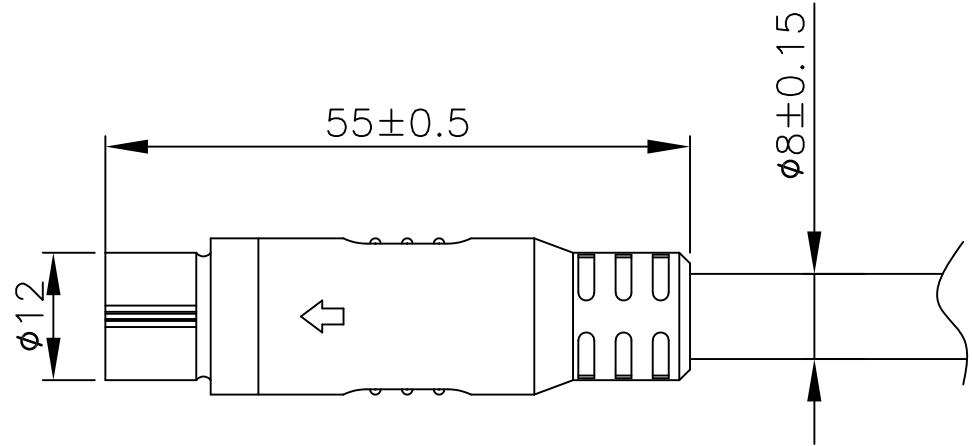


JTWP-FL09-D30V



Note:

1. Electrical Performance
 - 1.1 Rated current : 1~3 : 30 A / 4~9 : 3A
 - 1.2 Rated Voltage : 110 V
 - 1.3 Insulation resistance : $\geq 20M\Omega$
 - 1.4 Contact resistance : $\leq 10m\Omega$
2. Mechanical Performance
 - 2.1 Durability Repeated : Insert and withdraw up to 200 cycles
3. Environmental Performance
 - 3.1 Ingress Protection : IP67
 - 3.2 Temperature Range - Operating : $-40^{\circ}C \sim +105^{\circ}C$
4. Cable Diameter : 8.0 (mm)
5. Cables Shall Be 100% Tested For Opens And Short And Miss.

				TOLERAMCE UNLESS SPECIFIED		朝富科技股份有限公司 JOIN TEK CORPORATION CO., LTD.			
				LINEAR	ANGLE				
				.X ± 0.30	X' ± 5'		UNIT	SHEET	VER.
				.XX ± 0.20	.X' ± 2'			1/1	A0
				.XXX ± 0.10	.XX' ± 1'	名稱：大電流 電機線3大6小 9P TITLE Female 30A			
				日期	2023.07.10	料號：JTWP-FL09-DXXV			
				審核	Jason	PART NO.			
更改 REV.	設 變 內 容 MODIFICATION	修改 DRAWN	核准 APPROVED	製 圖	Jackie				